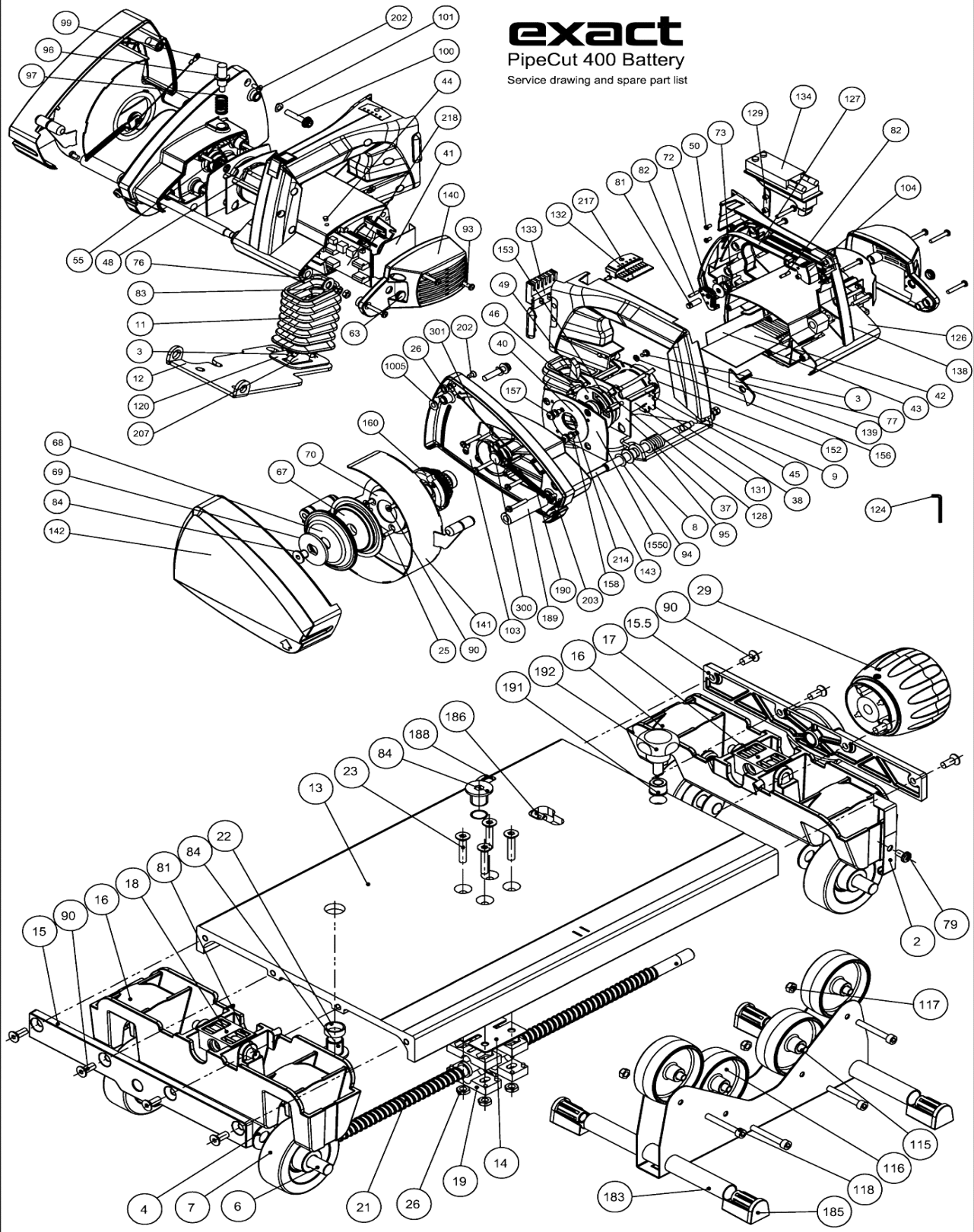


# exact

PipeCut 400 Battery  
Service drawing and spare part list



# Exact PipeCut 400 Battery

Pos.	Part n:o	Description	Pcs/unit
2	11694-00	Pointer	1
3	249424-00	Screw M4x6 ISO 7048	2
4	11175-00	Washer GTM-0818-010 DIN 7979	4
6	11690-00	Pin fi8x48	4
7	11697-00	Wheel VPA 50/8G	4
8	11566-00	Flange bearing GFM-1012-09	1
9	11567-00	Flange bearing GFM-0810-05	1
11	10903-00	Protection bellows PC200/360/400/1000	1
12	11840-00	Body panel PC400 and PC1000	1
13	11744-00	Frame PC400	1
14	11693-00	Distance Plate	1
15	11695-00	Endpiece Back	1
155	11695-50	Endpiece Front	1
16	11696-00	Sledge	2
17	11494-00	Trapeze nut right	1
18	11493-00	Trapeze nut left	1
19	11492-10	Trapeze Screw Holder Grinded	4
21	11689-00	Trapeze screw PC400	1
22	11772-00	Distance ring fi12/fi10x4,3	1
23	11561-20	Screw M4X20 ISO 14581 ZN BLUE	4
25	11721-10	Screw M4X16 TX20	3
26	725698	Hex nut M4 DIN 934 ZN	5
27	743714	Spring pin 4x30 DIN1481	1
29	10913-00	Gripper knob	1
41	11986-00	Rear mesh	1
42	15231-90	Body mesh 1	1
43	15232-00	Body mesh 2	1
44	15233-00	Light pipe fi5x3.2	1
48	15242-00	Cable tie	1
50	249437-05	PT Screw K30x6	4
63	11993-00	Plastic plug	1
67	11543-02	Blade flange 80mm	1
68	11542-00	Attachment flange 80 mm	1
69	10944-01	Pulling flange washer	1
70	11777-00	Bearing Casing Cover PC400	1
72	11571-00	Lock Hook	1
73	11553-00	Lock Hook Spring	1
76	249223-00	Washer 8,4x16 DIN125A	3
77	11540-10	Cable slot cover 170 Bat	1
79	10986-00	Screw K40/8	3
81	10983-03	Dowel pin 6x18 DIN 7	5
82	10983-04	Dowel pin 3x12 DIN 7	2
83	10985-00	Hex nut M8x1 DIN439	4
84	10987-01	Blade Screw M10x10 BN 1206	3
90	11721-00	Screw M4X10 ISO 14581 ZN BLUE	11
93	10986-03	Screw PT40x18	14
94	744361	Shim washer 10/16 s0.5 DIN 988	1
95	11550-00	Lifting Spring 170	1
96	10273-00	Circlip 8 Fe DIN 6799	1

Pos.	Part n:o	Description	Pcs/unit
97	11552-00	Spindle Lock Spring 170	1
99	11546-00	Spindle Lock 170	1
100	11681-00	Blade guard screw m6x30	1
101	11133-00	Washer 6,4/11 DIN 137A	1
102	726430	Screw M4x6 DIN 7985 ZN	1
103	11508-00	Gearbox casting 170	1
104	11538-01	Locking Lever with Yellow indicator	1
115	11006-00	Holder wheel axis 8X1X31	16
116	11007-10	Holder wheel yellow	16
117	744628	Nut, protective M6 DIN 985	16
118	590872-22	Screw M6x40 ISO7380	16
120	11705-00	Mounting plate	1
124	725927-10	Allen key 5 Black short	1
126	11526-10	Motor Body Plastic	1
127	11539-00	Draw Bar 170	1
129	15227-00	Decorative part	2
132	15224-00	Battery indicator	1
133	15226-00	Battery connector	1
134	11797-00	Electric switch Marquard	1
135	15246-00	Cable complete	1
138	11530-00	Motor frame handle left GREY	1
139	11534-00	Motor frame handle right GREY	1
140	11522-00	End cup Grey	1
141	11748-50	Lower Blade Guard metric PC400	1
142	11752-10	Blade guard top - PC400 Bat.	1
143	11545-00	Main shaft	1
145	15269-00	Carry bag Exact 170 Accu	1
154	15266-00	Motor isolate	1
160	11742-10	Secondary gear complete 400 Accu	1
183	11903-00	Pipe support P400 single	4
185	11760-00	Tube insert	16
186	11773-00	Adjustment screw	1
188	11774-00	Fingernut M4	1
189	11779-00	Rubbertube	1
190	11741-00	Bladeguard PC400 spring	1
191	11848-00	Fi10 insert	1
192	3.603E+09	Wingscrew M6x13	1
202	11721-08	Screw M4X8 ISO 14581	1
203	249415-00	Screw M4X8 C PZ DIN7500	1
207	11839-05	Counter Peg 400,1000 Accu	1
217	15225-00	Battery Indicator cover	1
218	15230	Control card Bat+temperature sensor	1
220	15265-00	Motor complete	1
300	11861-00	Pulley on pulley fixation plate	1
301	11860-00	Steel fishing wire with cable shoes	1
1005	11680-00	Rubber protection	1

# SERVICE KITS PipeCut 400 Battery

Poz.	P. n.	Description-ENG	Pcs
<b>160</b>	<b>11742-60</b>	<b>Secondary cogwheel SA</b>	<b>1</b>
71	11558-00	Ball bearing	1
52	15268-00	Secondary gear SA	1
66	11743-00	Bearing casing	1
56	590987-00	Ball bearing	1
<b>72</b>	<b>11571-00</b>	<b>Lock Hook</b>	<b>1</b>
61	11571-20	Lock hook in	3
62	11571-10	Lock hook out	2
60	248082-00	Rived 3,2x10 DIN 7337 Al	1
<b>104</b>	<b>11538-01</b>	<b>Locking Lever with attention sticker</b>	<b>1</b>
104	11538-00	Locking Lever	1
106	11134-60	Attention Sticker Yellow	1
<b>141</b>	<b>11748-50</b>	<b>Lower blade guard PC400 with print</b>	<b>1</b>
141	11748-00	Lower Blade Guard metric PC 400 - PRINTED	1
180	11745-01	Roller	1
181	11746-00	Blade cover handle	2
182	11747-00	Threaded pin M6x20 DIN 913	1
<b>300</b>	<b>11861-00</b>	<b>Pulley on pulley fixation plate</b>	<b>1</b>
195	11822-50	Mount pulley	1
196	11823-00	Pulley	1
197	11824-00	Pulley fulcrum	1
<b>301</b>	<b>11860-00</b>	<b>Steel fishing wire with cable shoes</b>	<b>1</b>
198	11826-00	Steel fishing wire	1
199	11827-00	Cable shoes	2
<b>29</b>	<b>10913-00</b>	<b>Gripper knob -service</b>	<b>1</b>
29	10913-20	Gripper knob	1
29.5	11120-10	Pin M5x16 DIN914	1
<b>220</b>	<b>15265-00</b>	<b>Motor complete</b>	<b>1</b>
3	249424-00	Screw M4x6	3
156	590516-10	Spring washer B4 DIN 127	3
152	15266-00	Motor isolate	1
45	11992-20	Spacer male/female M4x45	3
38	11990-90	Air wall back	1
131	15223-00	Motor assembly DC 18V	1
37	11989-00	Air wall front	1
49	15264-00	Washer Zn	1
155	11987-00	Motor frame assy	1
40	11985-91	Front mesh	1
157	590872-10	Screw M4x16 ISO14581	2
158	725115	Spring washer B5 DIN 127	2
214	15275-00	Pinion	1
46	11992-10	Spacer male/female M4x12	3
153	11988-01	Distance ring	1
55	15262-10	Ball bearing 61900-2RS	1
<b>135</b>	<b>15246-00</b>	<b>Cable complete</b>	<b>1</b>
132	15224-00	Battery indicator	1
133	15226-00	Battery connector	1
64	15236-00	Cable 2x0,35mm - red/black l=90	1
136	15237-00	Cable 2x0,35mm - red/black l=110	1
112	15239-00	Cable 1x0,35mm - red l=220	1
113	15238-00	Cable 2x0,35mm - red/black l=220	1
111	15240-00	Cable silicone 4mm - red l=350	1
114	15241-00	Cable silicone 4mm - black l=390	1
58	11580-00	Cable connector female 6,3x0,8mm	2
59	15244-00	Insulating pin climp 0,35mm	2
39	15243-00	Soldering Wire	0.02