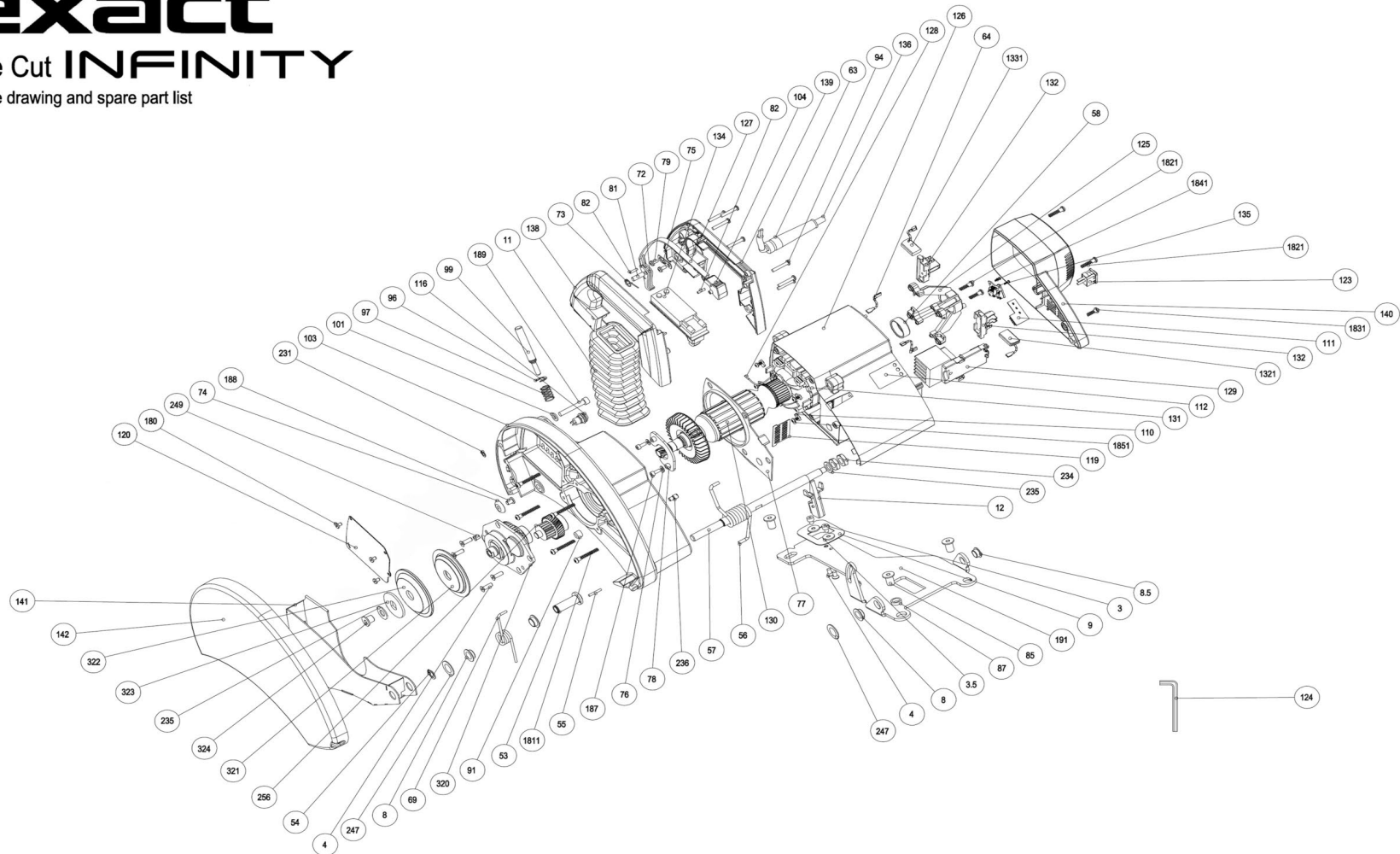
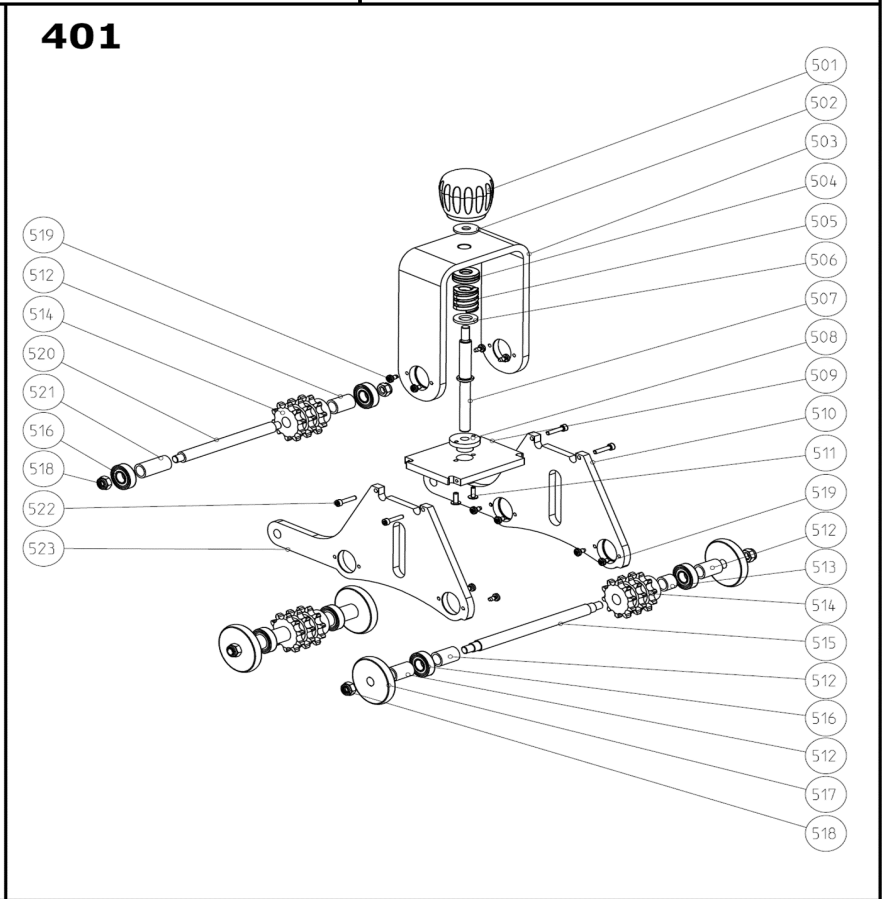
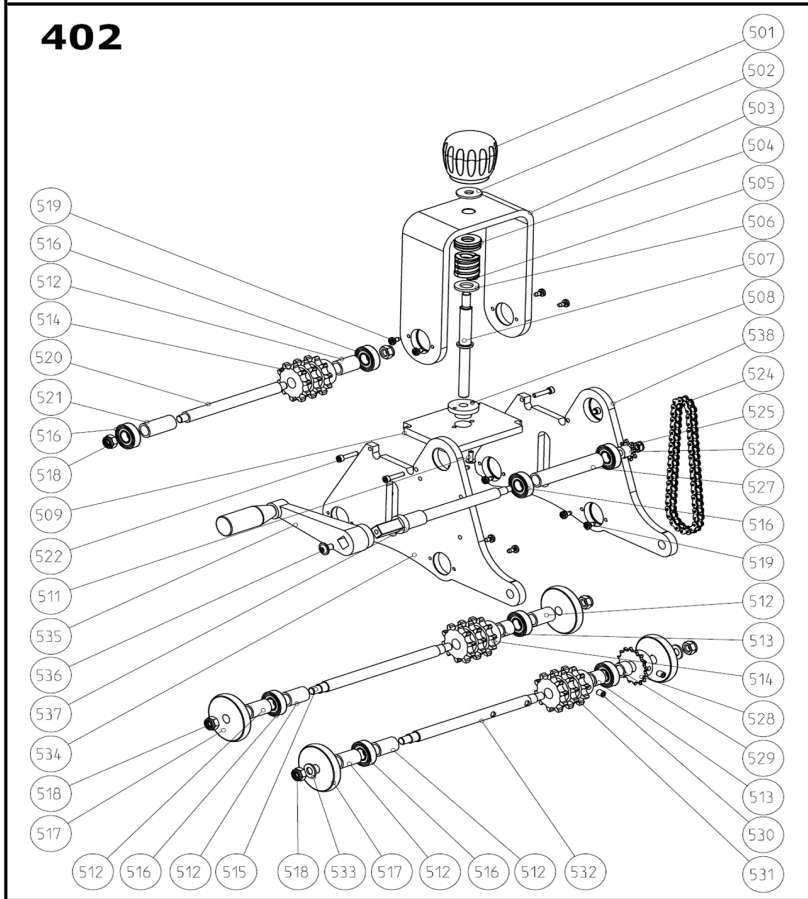
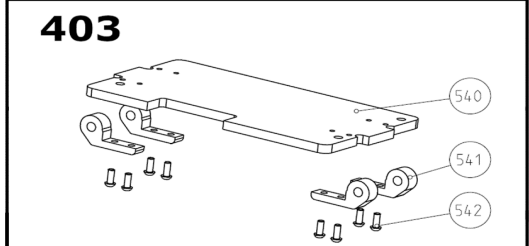
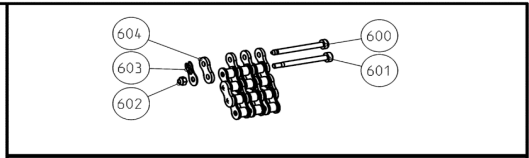
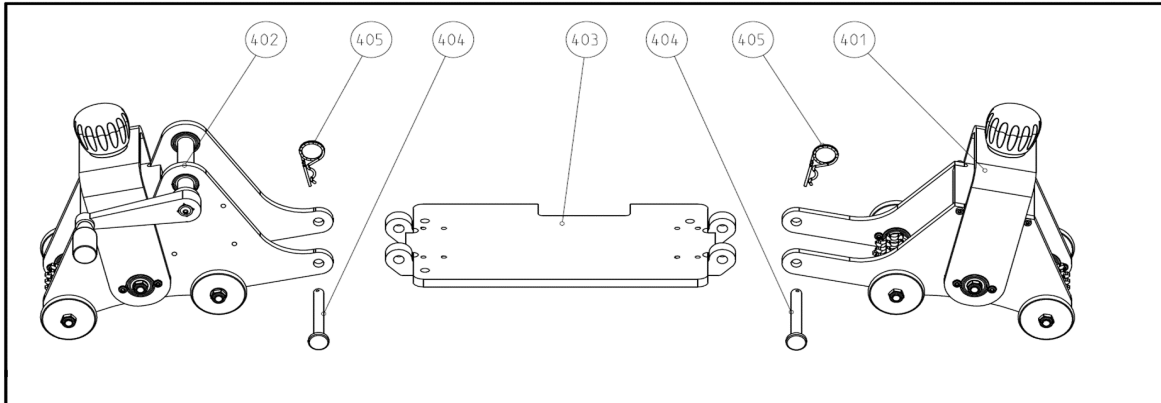


exact

Pipe Cut INFINITY

Service drawing and spare part list





Exact PipeCut Infinity

Pos.	Part n:o	Description-ENG	Pcs/unit
3	90872-09	Screw M5x6 ISO 7380	2
3.5	725269	Washer M5 DIN 125	2
4	10080-01	Screw M5x12 DIN 7991	6
8	11704-20	Flange bearing	1
8.5	11566-10	Flange bearing GFM-101216-06	1
9	10905-10	Bellows base plate	1
11	15464-00	Protection bellows PC360 PS	1
12	15571-00	Counter peg	1
53	15517-00	Blade guard bushing	1
54	725471	Retaining rings 12 DIN 471	1
55	742168	Pin 3x14	1
56	15519-00	Lifting Spring	1
57	15518-00	Main shaft	1
58	15497-00	Rubber Bushing	1
63	10951-10	Protective cable sleeving	1
64	15491-00	Carbon Brush Cable	2
69	15523-00	Blade guard spring	1
72	15472-00	Lock Hook	1
73	11553-00	Lock Hook Spring	1
74	15516-00	Spacer	1
75	378975-00	Cable Clamp	1
76	249233-00	Washer A4,3 DIN 125	1
77	15503-00	Air deflector	1
78	15475-00	Backlash plate	1
79	10986-00	Screw K40/8	2
81	10983-03	Dowel pin 6x18 DIN 7	1
82	10983-04	Dowel pin 3x12 DIN 7	2
85	10987-09	Screw M10x16 BN1206	3
87	11772-10	Bushing	1
91	11541-00	Elastic Bar	1
94	10986-03	Screw PT40x18	7
96	10273-00	Circlip 8 Fe DIN 6799	1
97	11552-00	Spindle Lock Spring 170	1
99	15482-00	Spindle Lock	1
101	11133-00	Washer 6,4/11 DIN 137A	1
103	915781-05	Gearbox Infinity + labels	1
104	11538-01	Locking Lever with Yellow indicator	1
110	15499-00	Fastener	4
111	15500-00	Traffic light	1
112	15501-00	Traffic light sticker	1
120	15477-90	Battery cover	1
123	15522-00	Electric switch 13x19,2	1
124	725927	Allen key 5 BLACK	1
125	15487-00	Bearing holder	1
126	15813-00	Motor Body blue + labels	1
127	11539-00	Draw Bar 170	1
128	15493-00	Temperature sensor	1
129	15494-00	Electronics unit 230V	1
129	15494-50	Electronics unit 120V	1
130	15559-00	Armature 230 V with bearings	1
130	15560-00	Armature 120 V with bearings	1
131	15567-00	Field Coil 230V + Temp. Sens.	1
131	15568-00	Field Coil 120V + Temp. Sens.	1
132	15488-00	Brush holder 230V	2
132	15488-50	Brush holder 120V	2
134	511797-05	Electric switch Marquard Lock-on	1
135	15492-00	Speed sensor	1
136	10949-00	Power Cord EU	1

Pos.	Part n:o	Description-ENG	Pcs/unit
320	15718-00	Cutter shaft PC360 PS - SA - B	1
321	15514-10	Blade flange PC360 PS fi15	1
322	11542-00	Attachment flange 80 mm	1
323	10944-01	Pulling flange washer	1
324	10987-01	Blade Screw M10x10 BN1206	1
401	10-5041	Tensioner	1
402	10-5039	Tensioner with crank	1
403	10-5040	Baseplate SA	1
404	4-5050	Connecting pin	2
405	8-5015	Pin DIN 11024 2.5	2
501	10913-00	Gripper knob	2
502	8-5024	Washer DIN9021 M8	2
503	4-5051	Tension sprocket carrier	2
504	8-5025	SKF 51101	2
505	8-5016	Tension Spring	2
506	8-5026	DIN125 M12	2
507	4-5054	Tightening screw	2
508	4-5055	Tension nut	2
509	4-5043	Carrier plate	2
510	4-5045	Tensioner side RH	1
511	8-5027	BN 11252 M4X12	4
512	4-5048	Spacer 23.5 FI12	13
513	4-5049	Spacer 12.4 FI12	4
514	8-5014	Sprocket 08B-3 FI12	5
515	4-5046	Wheel shaft free	3
516	8-5028	6001-2RSH	14
517	4-5047	Wheel	8
518	725886	DIN 985 Nyloc nut M8	12
519	8-5029	Self tapping screw WN51	24
520	4-5052	Tensioning axle	2
521	4-5053	Spacer 34.6 FI12	2
522	8-5030	BN 272 M4x20	8
523	4-5044	Tensioner side LH	1
524	8-5022	Driving chain	1
525	744628	DIN 985 Nyloc nut M6	1
526	8-5020	Sprocket 05B-1 z8	1
527	4-5061	Spacer 82 FI12	1
528	8-5017	Sprocket 05B-1 z16	1
529	4-5059	Spacer 9.5 FI12	1
530	8-5031	DIN913 M6X8	2
531	8-5018	Sprocket 08B-3 z10 Driven	1
532	4-5058	Sprocket shaft Driven	1
533	8-5032	DIN 125 M8	2
534	4-5057	Tensioner side with crank LH	1
535	8-5019	Handle 471 66731000	1
536	8-5021	BN 11252 M6X10	1
537	4-5060	Crank shaft	1
538	4-5056	Tensioner side with crank RH	1
540	4-5041	Base plate machined	1
541	4-5042	Hinge link	4
542	10987-07	BN1206 M6X16 black	8
600	2-4001	Slotted pin	7
601	2-4002	Threaded pin	7
602	8-5033	DIN 985 Nyloc nut M4	7
603	5-4010	Spring link	7
604	5-4011	Chain link	28
1321	15489-00	Carbon brush 230V	1
1331	15490-00	Carbon brush SWU 230V	1

136	15570-00	Power cord UK 3-pin round	1	1331	15490-50	Carbon brush SWU 120V	2
136	11023-15	Power cord US 120V	1	1441	11188-11	Pipe Support PS double, yellow	1
138	11534-10	Handle right - BLUE	1	1445	11191-11	Pipe Support PS single, yellow	2
139	11530-10	Handle left - BLUE	1	1811	10986-12	Screw K50x35 WN1452	5
140	15486-00	End cup - YELLOW	1	1821	10986-11	Screw K50x20 WN1452	4
141	15783-00	Lower blade Guard Infinity - SA	1	1831	10986-10	Screw K50x16 WN1452	1
142	15782-00	Blade guard top Infinity	1	1841	15336-10	Screw PT K30x6	2
180	10987-02	Screw M4x6 BN 1206	3	1851	10986-20	Screw K42x10 WN1452	4
187	10976-11	Screw M4x10 DIN 912	2				
188	10987-12	Screw M6x8 BN 1206	1				
189	10976-05	Screw M6x40 DIN 912	1				
191	15463-00	Body panel	1	10-5048		Box for chains	1
231	11252-00	Retaining rings 6 DIN 471	1	15529-00		Carry bag Exact PC280/360 PS	2
234	10985-10	Hex Nut M10x1,5 DIN439B	2				
235	10393-10	Washer M10 DIN125A	2	10-4020		Chain section 2,0m	2
236	15345-00	Screw M5x7	1	10-4010		Chain section 1,0m	1
247	10248-00	Washer 12x18x0,5 DIN 988	2	10-4005		Chain section 0,5m	1
249	15557-00	Screw M6x6	1	10-4002		Chain section 0,2m	2
256	15566-00	Gear shaft PC360 PS - SA	1	10-4001		Chain section 0,1m	1

Pos.	Part n:o	Description-ENG	Pcs/unit
------	----------	-----------------	----------

130	15559-00	Armature 230 V with bearings	1
70	15525-00	Bearing	1
59	15524-00	Bearing	1
113	15498-00	Magnet X NR808	1
130	15496-00	Armature 230 V	1

130	15560-00	Armature 120 V with bearings	1
70	15525-00	Bearing	1
59	15524-00	Bearing	1
113	15498-00	Magnet X NR808	1
130	15496-50	Armature 120 V	1

72	15472-00	Lock Hook	1
61	15473-00	Lock hook in	2
62	15471-00	Lock hook out	2
60	248082-00	Rivet 3,2x10 DIN 7337 Al	1

104	11538-01	Locking Lever with attention sticker	1
1040	11538-00	Locking Lever	1
1060	11134-60	Attention Sticker Yellow	1

12	15571-00	Counter Peg - SA	1
120	15465-00	Counter peg	1
1920	15540-00	Side support left	1
1930	15540-05	Side support right	1
1940	590532-00	Rivet 4x16 DIN7337A	2

320	15718-00	Cutter shaft PC360 PS - SA	1
450	15483-00	Gear cover	1
390	15526-00	Bearing	1
440	15527-00	Bearing	1
1800	10987-02	Screv M4x6	3
2430	15544-00	Key A5x5x18 DIN 6885	1
420	590874-28	Retaining rings 14x1 DIN 471	1
430	590874-29	Retaining rings 17x1 DIN 471	1
520	15512-00	Gear 4, Z=47	1
325	15655-00	Blade shaft - B	1
710	15524-10	Bearing	1

256	15566-00	Gear shaft PC360 PS - SA	1
2680	15384-01	Key A5x5x10 DIN 6885	1
710	15524-10	Bearing	1
2330	590874-27	Retaining rings 16x1 DIN 471	1
500	15510-00	Gear 2, Z=33	1
510	15511-00	Gear 3, Z=18	1