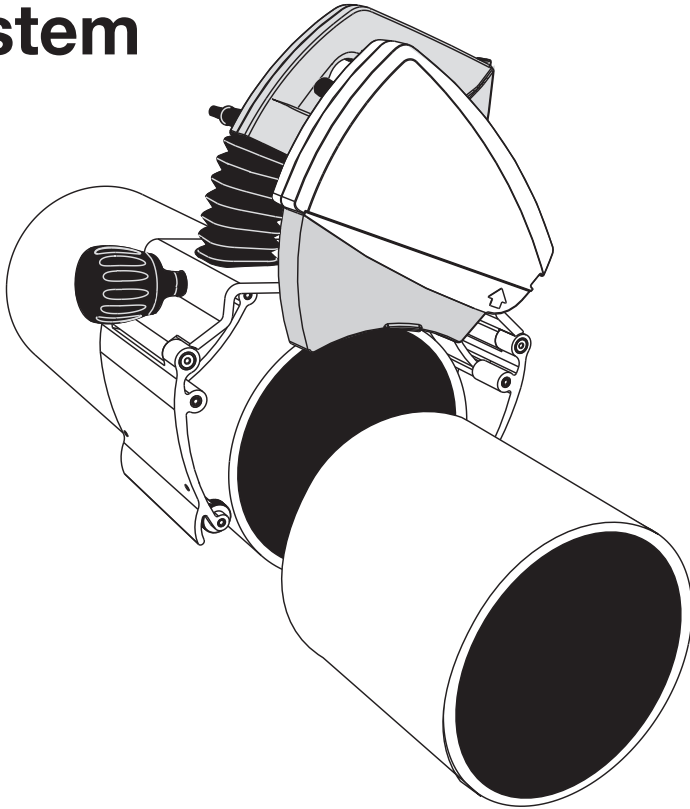


exact

PipeCut

PipeCut 220E System



EN

Operating Instructions

5-16

FR

Conseils d'emploi

17-28

ES

Instrucciones de manejo

29-40

Exact PipeCut 220E System

Blade information for Exact PipeCut saws

TCT (tungsten carbide tip) saw blades are for cutting steel, copper, aluminium and all kind of plastics. TCT blades can be sharpened.

Cermet (ceramic alloy tip) saw blades are for cutting stainless steel, acid proof materials, steel, copper, aluminium and all kind of plastics. Cermet blades can be sharpened.

Diamond blades are for cutting cast iron only. Diamond blades can not be sharpened.

220E speed control recommendations:

Stainless steel	4
Steel	5
Cast-iron	6

Informations sur les lames des scies Exact PipeCut

Les lames de scie **TCT** (à pointe de carbure de tungstène) sont utilisées pour couper acier, cuivre, aluminium et toute sorte de plastiques. Les lames TCT peuvent être affûtées.

Les lames de scie **Cermet** (à pointe en alliage céramique) sont utilisées pour couper acier inoxydable, matériaux anti-acide, acier, cuivre, aluminium et toute sorte de plastiques. Les lames Cermet peuvent être affûtées.

Les lames **Diamond** sont utilisées pour couper de la fonte seulement. Les lames Diamond ne s'affûtent pas.

Recommandations du réglage de la vitesse du modèle 220E:

Acier inoxydable	4
Acier	5
Fonte	6

Información sobre cuchillas para sierras Exact PipeCut

Las hojas de sierra **TCT** (con punta de carburo de tungsteno) están diseñadas para cortar acero, cobre, aluminio y cualquier tipo de plástico. Las hojas TCT se pueden afilar.

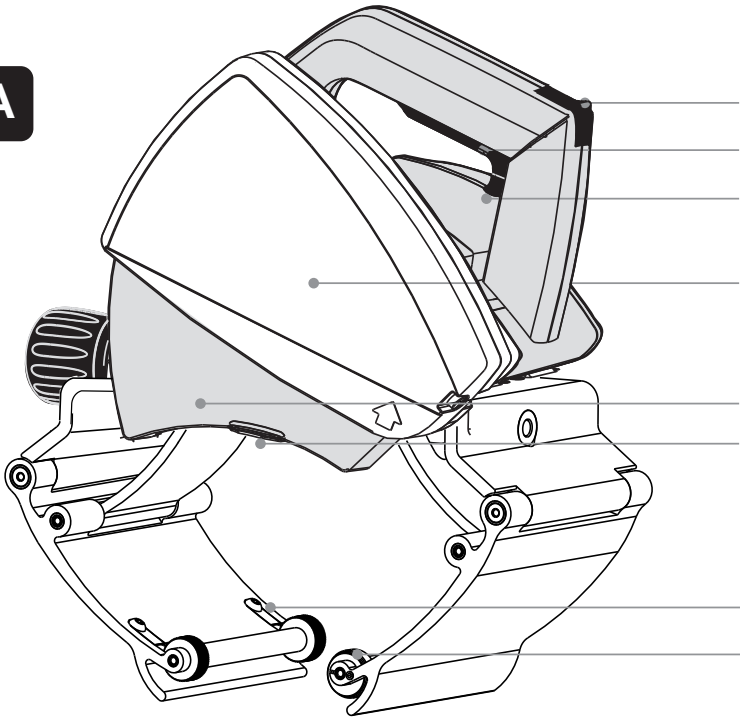
Las hojas de sierra **Cermet** (con punta de aleación de cerámica) están diseñadas para cortar acero inoxidable, materiales a prueba de ácidos, acero cobre, aluminio y cualquier tipo de plástico. Las hojas Cermet se pueden afilar.

Las hojas de **Diamond** están diseñadas para cortar hierro fundido exclusivamente. Las hojas de Diamond no se pueden afilar.

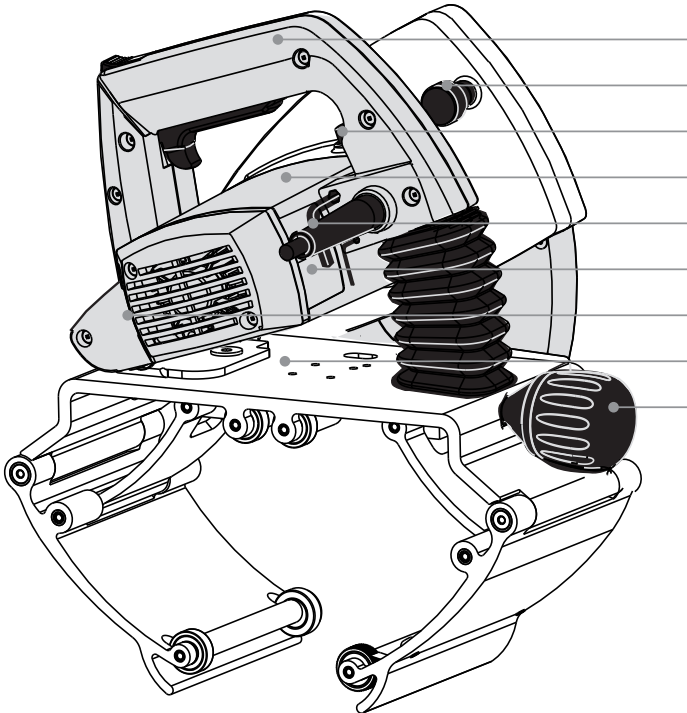
Recomendaciones sobre la velocidad en 220E:

Acero inoxidable	4
Acero	5
Hierro fundido	6

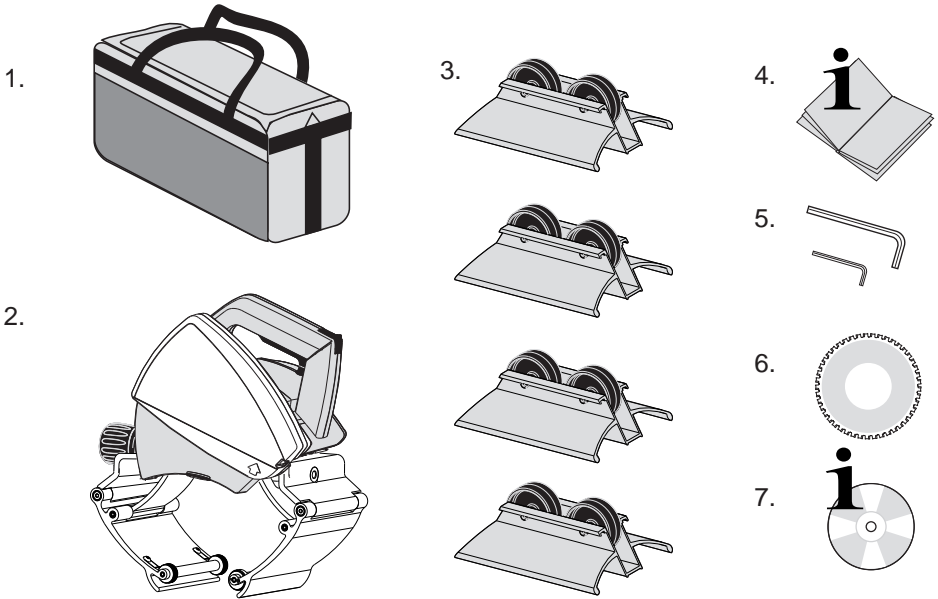
A



- 1.
- 2.
- 3.
- 4.
- 5.
- 6.
- 7.
- 8.



- 9.
- 10.
- 11.
- 12.
- 13.
- 14.
- 15.
- 16.
- 17.



Extension chord sets minimum gauge
Calibre (gauge) minimal pour les cordons de rallonges
Calibre (gauge) mínimo para juegos de cables

		Total length of chord Longueur totale de la rallonge Longitud total del cable			
		120 V	25 ft 7,6 m	50 ft 15,2 m	100 ft 30,5 m
Ampere rating Courant Amperios	240 V	50 ft 15,2 m	100 ft 30,5 m	200 ft 61,0 m	300 ft 91,4 m
		AWG	AWG	AWG	AWG
0-6	A	18	16	16	14
6-10	A	18	16	14	12
10-12	A	16	16	14	12
12-16	A	14	12	Not recommended Non recommandé No recomendado	

Contents

- 6. Technical data
- 6. Package contents

Safety

- 7. Safety instructions

Operation

- 10. Functional description
- 10. Product features
- 11. Before operating the tool
- 11. Connection to the mains power supply
- 11. Precise setting of the cutting point
- 11. Setting the pipe on supports
- 12. Attaching the pipe saw to the pipe
- 12. Piercing the pipe wall
- 12. Sawing around a pipe
- 13. Overload protection
- 13. Straightness of cut and adjusting wheel

- 14. **Installing and changing the saw blade**

- 14. **Service and maintenance instructions**

- 16. **Environment /Disposal**

- 16. **Guarantee/Guarantee conditions**

- 16. **Tips for users**

Exploded view (separate attachment)

Definitions: Safety guidelines

The definitions below describe the level of severity for each signal word. Please read the manual and pay attention to these symbols.



DANGER: Indicates an imminently hazardous situation which, if not avoided, **will** result in **death or serious injury**.



WARNING: Indicates a potentially hazardous situation which, if not avoided, **could** result in **death or serious injury**.



CAUTION: Indicates a potentially hazardous situation which, if not avoided, **may** result in **minor or moderate injury**.



NOTICE: Indicates a practice **not related to personal injury** which, if not avoided, **may** result in **property damage**.



Denotes risk of electric shock.

The label on your tool or this manual may include symbols. The symbols and their definitions are listed on page 41.

Operating, safety, and servicing instructions

Please read this operating, safety, and servicing instructions carefully before using the pipe saw. Also store this instruction book somewhere accessible to everyone using the pipe saw. In addition to these instructions, always follow the official work, health and safety regulations. The Exact PipeCut 220E is meant for professional use only.

Technical data

Model	Pipecut 220E
Voltage	120 / 60 Hz
Current	9.2 A
No-Load speed	1600-3500 /min
Intermittent operation	2.5 min ON / 7.5 min OFF (S3 25%)
Blade diameter	5.51" (140 mm)
Mounting bore	2.44" (62 mm)
Weight	13.2 lbs (6,0 kg)
Range of use Ø	0.6"- 8.6" (15 mm –220 mm)
Max. pipe wall steel	0.23" (6 mm)
Max. pipe wall plastics	0.55" (14 mm)
Protection class	□ / II
Spindle lock	YES
Speed preselection	YES
Constant electronic control	YES
Overload Protection	YES
Reduced starting current	YES

Exact PipeCut 220E pipecutting system, Package contents:

Please check the package contains the following items (page4):

1. Pipecutting System case
2. Exact PipeCut 220E pipe saw
3. Cutting supports 4x
4. Operating instructions
5. Hex socket key 5 mm and 2 mm fitted to the machine
6. TCT blade 140 x 62 fitted on the machine
7. DVD-video disc with instructions

General power tool safety warnings



WARNING: Read all safety warnings and all instructions. Failure to follow the warnings and instructions may result in electric shock, fire and/or serious injury

Save all warnings and instructions for future reference.

The term "power tool" in the warnings refers to your mains-operated (corded) power tool or battery-operated (cordless) power tool.

1. Work area safety

- a) **Keep work area clean and well lit.** Cluttered or dark areas invite accidents.
- b) **Do not operate power tools in explosive atmospheres, such as in the presence of flammable liquids, gases or dust.** Power tools create sparks which may ignite the dust or fumes.
- c) **Keep children and bystanders away while operating a power tool.** Distractions can cause you to lose control.

2. Electrical safety

- a) **Power tool plugs must match the outlet. Never modify the plug in any way. Do not use any adapter plugs with earthed (grounded) power tools.** Unmodified plugs and matching outlets will reduce risk of electric shock.
- b) **Avoid body contact with earthed or grounded surfaces, such as pipes, radiators, ranges and refrigerators.** There is an increased risk of electric shock if your body is earthed or grounded.
- c) **Do not expose power tools to rain or wet conditions.** Water entering a power tool will increase the risk of electric shock.
- d) **Do not abuse the cord. Never use the cord for carrying, pulling or unplugging the power tool. Keep cord away from heat, oil, sharp edges and moving parts.** Damaged or entangled cords increase the risk of electric shock.
- e) **When operating a power tool outdoors, use an extension cord suitable for outdoor use.** Use of a cord suitable for outdoor use reduces the risk of electric shock.
- f) **If operating a power tool in a damp location is unavoidable, use a residual current device (RCD) protected supply.** Use of an RCD reduces the risk of electric shock.

3. Personal safety

- a) **Stay alert, watch what you are doing and use common sense when operating a power tool. Do not use a power tool while you are tired or under the influence of drugs, alcohol or medication.** A moment of inattention while operating power tools may result in serious personal injury.

- b) **Use personal protective equipment. Always wear eye protection.** Protective equipment such as dust mask, non-skid safety shoes, hard hat, or hearing protection used for appropriate conditions will reduce personal injuries.
- c) **Prevent unintentional starting. Ensure the switch is in the off-position before connecting to power source, picking up or carrying the tool.** Carrying power tools with your finger on the switch or energising power tools that have the switch on invites accidents.
- d) **Remove any adjusting key or wrench before turning the power tool on.** A wrench or a key left attached to a rotating part of the power tool may result in personal injury.
- e) **Do not overreach. Keep proper footing and balance at all times.** This enables better control of the power tool in unexpected situations.
- f) **Dress properly. Do not wear loose clothing or jewellery. Keep your hair, clothing and gloves away from moving parts.** Loose clothes, jewellery or long hair can be caught in moving parts.
- g) **If devices are provided for the connection of dust extraction and collection facilities, ensure these are connected and properly used.** Use of dust collection can reduce dust-related hazards.

4. Power tool use and care

- a) **Do not force the power tool. Use the correct power tool for your application.** The correct power tool will do the job better and safer at the rate for which it was designed.
- b) **Do not use the power tool if the switch does not turn it on and off.** Any power tool that cannot be controlled with the switch is dangerous and must be repaired.
- c) **Disconnect the plug from the power source from the power tool before making any adjustments, changing accessories, or storing power tools.** Such preventive safety measures reduce the risk of starting the power tool accidentally.
- d) **Store idle power tools out of the reach of children and do not allow persons unfamiliar with the power tool or these instructions to operate the power tool.** Power tools are dangerous in the hands of untrained users.
- e) **Maintain power tools. Check for misalignment or binding of moving parts, breakage of parts and any other condition that may affect the power tool's operation. If damaged, have the power tool repaired before use.** Many accidents are caused by poorly maintained power tools.
- f) **Keep cutting tools sharp and clean.** Properly maintained cutting tools with sharp cutting edges are less likely to bind and are easier to control.
- g) **Use the power tool, accessories and tool bits etc. in accordance with these instructions, taking into account the working conditions and the work to be performed.** Use of the power tool for operations different from those intended could result in a hazardous situation.

5. Service

Have your power tool serviced by a qualified repair person using only identical replacement parts. This will ensure that the safety of the power tool is maintained.

Safety warnings for circular saws

- a)  **DANGER: Keep hands away from cutting area and the blade. Keep your second hand on motor housing.** If both hands are holding the saw, they cannot be cut by the blade.
- b) **Do not reach underneath the workpiece.** The guard cannot protect you from the blade below the workpiece.
- c) **Never hold the workpiece being cut in your hands or across your leg. Secure the workpiece to a stable platform.** It is important to support the work properly to minimize body exposure, blade binding, or loss of control.
- d) **Hold the power tool only by the insulated gripping surfaces when performing an operation where the cutting tool may contact hidden wiring or its own cord.** Contact with a "live" wire will also make exposed metal parts of the power tool "live" and shock the operator.
- e) **Always use blades with correct size and shape (diamond versus round) of arbour holes.** Blades that do not match the mounting hardware of the saw will run eccentrically, causing loss of control.
- f) **Never use damaged or incorrect blade washers or bolt.** The blade washers and bolt were specially designed for your saw, for optimum performance and safety of operation.
- g) **When blade is binding, or when interrupting a cut for any reason, release the trigger and hold the saw motionless in the material until the blade comes to a complete stop. Never attempt to remove the saw from the work or pull the saw backward while the blade is in motion.** Investigate and take corrective actions to eliminate the cause of blade binding.
- h) **When restarting a saw in the workpiece, centre the saw blade in the kerf and check that saw teeth are not engaged into the material.** If saw blade is binding, it may walk up from the workpiece as the saw is restarted.
- i) **Do not use dull or damaged blades.** Unsharpened or improperly set blades produce narrow kerf causing excessive friction and blade binding.
- j) **Use extra caution when making a "plunge cut" into existing walls or other blind areas.** The protruding blade may cut objects that can cause kickback.

- k) **Check lower guard for proper closing before each use. Do not operate the saw if lower guard does not move freely and close instantly. Never clamp or tie the lower guard into the open position.** If saw is accidentally dropped, lower guard may be bent. Raise the lower guard with the retracting handle and make sure it moves freely and does not touch the blade or any other part, in all angles and depths of cut.
- l) **Check the operation of the lower guard. If the guard and the spring are not operating properly, they must be serviced before use.** Lower guard may operate sluggishly due to damaged parts, gummy deposits, or a build-up of debris.
- m) **Do not reach into the saw dust ejector with your hands.** They could be injured by rotating parts.
- n) **Do not work overhead with the saw.** In this manner you do not have sufficient control over the power tool.
- o) **Do not operate the power tool stationary.** It is not designed for operation with a saw table.
- p) **Do not use high speed steel (HSS) saw blades.** Such saw blades can easily break.
- q) **When working with the machine, always hold it firmly with both hands and provide for a secure stance.** The power tool is guided more secure with both hands.
- r) **Secure the workpiece.** A workpiece supported by pipe holders is held more secure than by hand.
- s) **Always wait until the machine has come to a complete stop before placing it down.** The tool insert can jam and lead to loss of control over the power tool.
- t) **Never use the machine with a damaged cable. Do not touch the damaged cable and pull the mains plug when the cable is damaged while working.** Damaged cables increase the risk of an electric shock.

Safety instructions for plunge type saws

- a) **Check guard for proper closing before each use.** Do not operate the saw if guard does not move freely and enclose the blade instantly. Never clamp or tie the guard with the blade exposed. If saw is accidentally dropped, guard may be bent. Check to make sure that guard moves freely and does not touch the blade or any other part, in all angles and depths of cut.
- b) **Check the operation and condition of the guard return spring.** If the guard and the spring are not operating properly, they must be serviced before use. Guard may operate sluggishly due to damaged parts, gummy deposits, or a build-up of debris.

- c) **Assure that the guide plate of the saw will not shift while performing the “plunge cut” when the blade bevel setting is not at 90°.** Blade shifting sideways will cause binding and likely kick back.
- d) **Always observe that the guard is covering the blade before placing saw down on bench or floor.** An unprotected, coasting blade will cause the saw to walk backwards, cutting whatever is in.

Additional specific safety rules

The pipe saw must never be used in the following cases, if:

- There is water or another liquid, explosive gases or poisonous chemicals inside the pipe to be cut.
- The power switch is faulty.
- The power cable is faulty,
- The blade is bent.
- The blade is blunt or in poor condition.
- The plastic components are cracked or have parts missing.
- The gripper unit is not properly tightened around the pipe or if it is warped.
- The blade guard cover or moving blade guard has been damaged or removed from the machine.
- The locking mechanisms do not work properly (UNLOCK-button).
- The pipe saw has become wet.

When using the pipe saw, the following factors must always be taken into consideration:

- Support tubes to minimise the risk of blade pinching.
- Ensure that the pipe to be cut is empty.
- Ensure that the blade is correctly installed.
- Ensure that the diameter and thickness of the blade are suitable for the pipe saw and that the blade is suitable for the rpm-range of the machine.
- Never use sideways force to stop the blade, always allow the blade to stop freely.
- Check the attachments of the blade guards.
- Never use excessive force when using the pipe saw.
- Never use the pipe saw to lift the pipe while it is still attached to the pipe.
- Avoid overloading the electric motor.
- Always follow the safety and operating instructions and current regulations.

Air vents often cover moving parts and should be avoided. Loose clothes, jewellery or long hair can be caught in moving parts.

Accessories must be rated for at least the speed recommended on the tool warning label. Accessories running over rated speed can fly apart and cause

injury. Accessory ratings must always be above tool speed as shown on tool nameplate.



WARNING: ALWAYS wear proper personal hearing protection that conforms to ANSI S12.6 (S3.19) during use. Under some conditions and duration of use, noise from this product may contribute to hearing loss. When working with various materials, the sound level may vary and at times exceed the 85 dB(A) limit. Always use ear protectors to protect yourself.



WARNING: ALWAYS use safety glasses. Everyday eyeglasses are NOT safety glasses. Always use safety goggles to prevent injury to your eyes from particles thrown up when using the pipe saw. Also use face or dust mask if cutting operation is dusty (**cast iron cutting**). ALWAYS WEAR CERTIFIED SAFETY EQUIPMENT:

- ANSI Z87.1 eye protection (CAN/CSA Z94.3),
- ANSI S12.6 (S3.19) hearing protection,
- NIOSH/OSHA/MSHA respiratory protection.



WARNING: ALWAYS use safety gloves as the edges of cut pipes are sharp and can cause cuts.



WARNING: Some dust created by power sanding, sawing, grinding, drilling, and other construction activities contains chemicals known to cause cancer, birth defects or other reproductive harm. Some examples of these chemicals are:

- lead from lead-based paints,
 - crystalline silica from bricks and cement and other masonry products, and
 - arsenic and chromium from chemically-treated lumber (CCA).
- Your risk from these exposures varies, depending on how often you do this type of work. To reduce your exposure to these chemicals: work in a well ventilated area, and work with approved safety equipment, such as those dust masks that are specially designed to filter out microscopic particles.

Avoid prolonged contact with dust from power sanding, sawing, grinding, drilling, and other construction activities.

Wear protective clothing and wash exposed areas with soap and water. Allowing dust to get into your mouth, eyes, or lay on the skin may promote absorption of harmful chemicals.



WARNING: Use of this tool can generate and/or disburstedust, which may cause serious and permanent respiratory or other injury. Always use NIOSH/OSHA approved respiratory protection appropriate for the dust exposure.

Direct particles away from face and body.

Extension cords

An extension cord must have adequate wire size (AWG or American Wire Gauge) for safety. The smaller the gauge number of the wire, the greater the capacity of the cable, that is 16 gauge has more capacity than 18 gauge. An undersized cord will cause a drop in line voltage resulting in loss of power and overheating. When using more than one extension to make up the total length, be sure each individual extension contains at least the minimum wire size. The following table shows the correct size to use depending on cord length and nameplate ampere rating. If in doubt, use the next heavier gauge. The smaller the gauge number, the heavier the cord. (see page 4).

Motor

Be sure your power supply agrees with nameplate marking. As little as 10% lower voltage can cause loss of power and can result in overheating. All Exact Tools products are factory-tested; if this tool does not operate, check the power supply.



WARNING: Accessories must be rated for at least the speed recommended on the tool warning label. Accessories running over rated speed can fly apart and cause injury.

Accessory ratings must always be above tool speed as shown on tool nameplate.



DANGER: Avoid contact with the blade teeth to prevent personal injury

Functional Description

Read all safety warnings and all instructions. Failure to follow the warnings and instructions may result in electric shock, fire and/or serious injury.

Intended Use

PipeCut 220E:

The PipeCut 220E pipe saw is intended for use as a pipe fitter's tool at the installation site. The PipeCut 220E pipe saw can only be used to cut round pipes, with a diameter of 0.6"-8.6" (15-220mm) and a maximum wall thickness of 0.23" (6 mm) with steel and other ferrous and non-ferrous materials and 0.55" (14 mm) with plastics. The PipeCut 220E pipe saw can be used to cut all normal pipe materials, such as steel, stainless steel, cast iron, copper, aluminium and plastic. PipeCut 220E pipe saw is intended for short, intermittent use. The machine may be loaded for 2.5 minutes during a 10-minute period (S3 25 %). PipeCut 220E pipe saw is not intended for use in industrial production. Use pipe holders to support pipe.

Product Features

While reading the operating instructions, unfold the graphics page for the machine and leave it open.

This page is folded under the cover of this manual (page 3). The following numbering of the product features refers to this illustration.

1. **UNLOCK button**
2. **Power switch**
3. **Power-switch locking lever**
4. **Blade-guard cover**
5. **Moving blade-guard**
6. **Edge of moving blade-guard**
7. **Braking wheels**
8. **Adjusting wheel**
9. **Operating handle**
10. **Blade-guard screw**
11. **Spindle-lock button**
12. **Motor unit**
13. **Blade key and (key for the adjusting wheel)**
14. **Rating plate**
15. **Overload protection or rpm regulator**
16. **Gripper unit**
17. **Gripper adjustment handle**

Exact PipeCut 220E pipecutting system operating instructions

Before operating the tool

Ensure that the motor unit is in the upright position. The yellow mark of the UNLOCK button is visible.

Check that the blade is correctly fitted, in good condition and suitable for the material to be cut.

Ensure the pipe saw guide wheels rotate.

Ensure the support wheels rotate.

Check the operation of the lower blade guard.

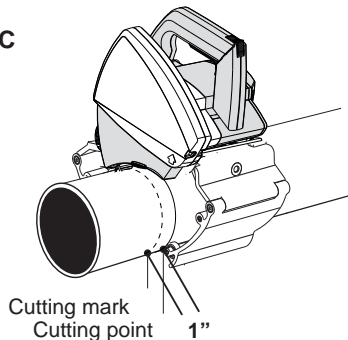
Ensure the pipe is empty.

If plastic pipes have been cut with the pipe saw (resulting in long, statically charged slivers), open the blade guard cover, and clean carefully the lower blade guard and the entire pipe saw.

Connection to the mains power supply

Ensure that the mains voltage is the same as indicated on the rating plate (**Figure A/14**). Connect the pipe saw to the power outlet only after having checked this.

Fig C



Precise setting of the cutting point

When you mark the cutting point on the pipe to be cut, deduct 1 inch from the required dimension (Easy-to-remember rule: The cutting mark location requires a measurement of - 1").(**Figure C**)

Setting the pipe on supports

Use the system supports when cutting pipes. This will ensure safe working and optimum result. Work on flat surface. Place the pipe on two supports so that the cutting point is between the supports. Place two more support under both ends of the pipe. Check that all support wheel contact the pipe (adjust if required e.g. with pieces of lumber) (**Figure B**). When cutting short pipes (10" or less) place the supports so that the cutting point is outside supports (**Figure D**). Support the pipe with your left leg, if required. Proper arrangements will prevent the blade from jamming as the pipe is cut through.

Fig B

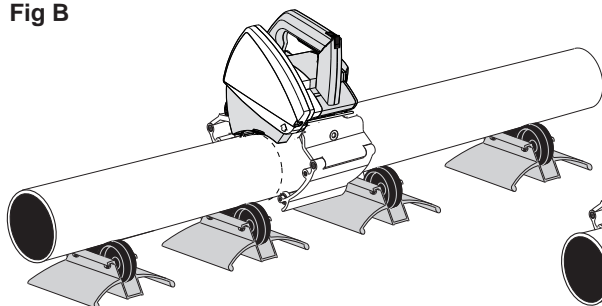
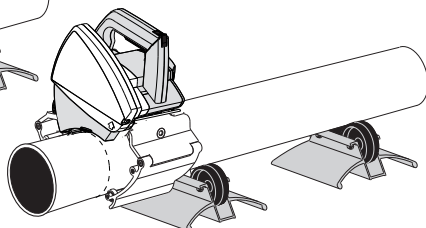


Fig D



Attaching the pipe saw to the pipe

Open the pipe saw's gripper unit enough to suit the diameter of the pipe by rotating the adjustment handle located at the rear of the saw (**Fig. E/1**). Position the pipe saw on top of the pipe so that the edge of the lower blade guard is at the cutting mark. Fasten the pipe saw to the pipe by turning the gripper adjustment handle until the gripper grips firmly the pipe to be cut (**Figure E/2**). Hold the pipe in place and ensure that pipe saw moves freely in the direction the pipe is fed. For sake of safety ensure the pipe saw leads are to the left of the pipe saw. The pipe saw is now ready for cutting.

Fig E

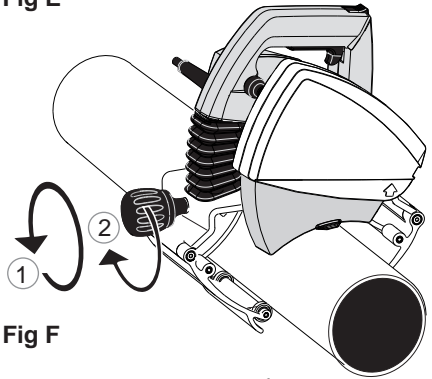


Fig F

Piercing the pipe wall

Grip the gripper firmly with your right hand and place your left foot on top of the pipe approximately 20" from the pipe saw. Turn the saw until it leans slightly forward (**Figure H**). When starting the motor, first of all release the power-switch locking lever (**Fig F/1**) and push the power switch all the way down (**Fig F/2**). Before starting to saw, wait until the blade reaches full speed. Pierce the pipe wall by pressing pipe saw operating handle downwards slowly and evenly until the blade has cut through the pipe wall (at this stage the pipe must not rotate) and the motor unit is locked in the sawing position (**Fig H/1**). Look at the UNLOCK button during the piercing operation. When UNLOCK button is locked, i.e. the yellow mark disappears (**Fig G**), pipe saw is locked in the sawing position, and you can safely start sawing around the pipe.

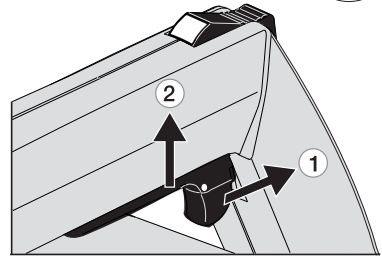
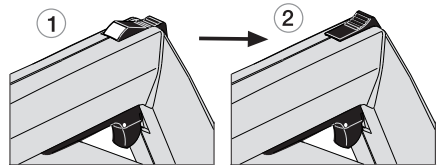


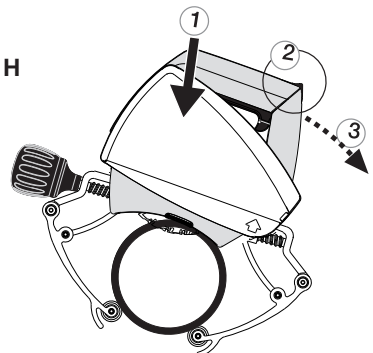
Fig G



Sawing around the pipe

Start sawing by feeding the pipe saw forward and fix the pipe with your left foot (**Fig H/3**). After that release the pipe (remove your left foot from the pipe) and turn the pipe saw backwards, whereby the pipe will also be rotated backwards (**Fig J**). Start a new feeding movement, and feed continuously forward ca. 1/6 of the pipe's circumference. Repeat until the pipe is cut off (**Fig K**).

Fig H



Select the feeding speed as per the material and the thickness of the wall. Too high speed can damage the blade, overload the pipe saw and give a poor sawing result.

When the pipe is cut off, push the UNLOCK button forward until the yellow mark is visible and the locking is released (**Fig L/1**). Now raise the motor unit to starting position (**Fig L/2**). Release the power switch (**Fig L/3**). When the blade is stationary, remove the pipe saw from the pipe by loosening the gripped handle (**Fig L/4**). Ensure that the moving lower blade-guard is lowered into safety position.

Should there be problems during piercing or sawing, abnormal sounds or vibrations due to which you have to interrupt sawing before the pipe is cut through, release the blade by pushing the UNLOCK button forward until the UNLOCK button is released, and lift the motor unit up. Once the problem is cleared, start sawing again.

Never start the motor, when the motor unit is locked in sawing position or teeth of the blade contact the pipe to be sawn.

Overload protection and spin-speed regulator

There is a spin-speed regulator in model 220E. A suitable spin speed is selected, determined by the material to be sawed. There is also an automatic overload protection in the regulator.

In the case of overload: Release the power switch (**Fig L/3**). Push the UNLOCK button forward until the yellow mark is visible and the locking is released (**Fig L/1**). The electronics circuit limits the current and stops the motor. When the motor stops due the overload, the red light on the pipe cutter is turned on. The pipe cutter has to cool down while the electronics perceives the internal temperature. The motor will not start (even the red light turned off) until the switch is released and pressed once more time or plug disconnect and reconnect. The red light indicates to the user that the machine was overloaded.

The indicator light in question turns on for a moment every time the motor is started. This in normal and does not require any actions.

Straightness of cut and adjusting wheel

The cut is affected by many factors, e.g. the size of the pipe, the material, the wall thickness, the quality of the pipe's surface, the roundness, welded seams, blade condition, feed rate, operator's experience.

Fig J

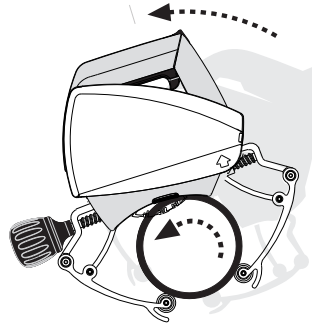


Fig K

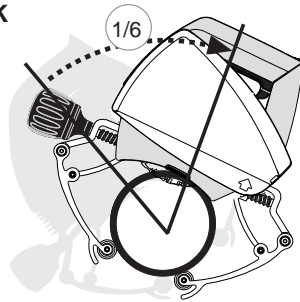


Fig L

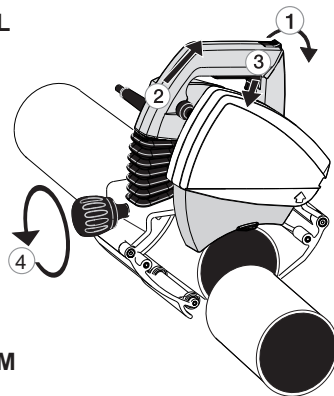


Fig M



Gap to left



Gap to right

For this reason the result may vary, and the cut may turn to left or right (misalignment of the cut's starting and ending point) (Fig M). The pipe saw gripper has one adjustable wheel (Fig A/9) which be used for improving the quality of the cut and for reducing the misalignment. The adjustment applies only to the actual pipe size and material, and the wheel may have to be readjusted as the blade is worn. To adjust the wheel, loosen the locking screw (Fig N/1) and turn the wheel centre clockwise or counter clockwise to the desired position (Fig N/2), and lock the wheel again (Fig N/3). If the blade has wandered too much to the left, adjust wheel centre clockwise (- sign). If the misalignment is to the right, adjust counter clockwise (+ sign). The extent of the adjustment depends on the actual misalignment. Remember to lubricate the adjusting wheel at regular intervals.

Fig N

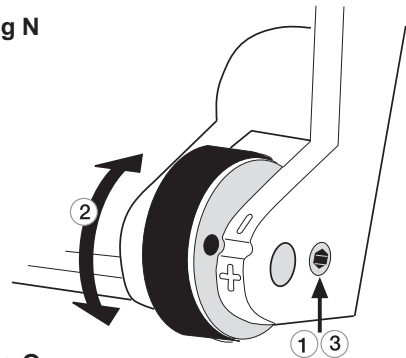


Fig O

Installing and changing the saw blade

⚠ WARNING: To reduce the risk of injury, turn unit off and disconnect it from power source before installing and removing accessories, before adjusting or when making repairs. An accidental start-up can cause injury.

Remove the power plug from the socket. Check that the motor unit is locked in the upper position.

Remove the blade guard cover (Fig. O/1) by opening the two screws (Fig. O/2). Press the spindle-lock button (Fig. A/11) and simultaneously rotate the blade by hand until the spindle-lock button drops a further distance of about 0,2". Now the rotation of the blade is prevented. Use the blade key to open the blade attachment bolt. Remove the securing bolt (Fig. O/3), the washer (Fig. O/4), the blade flange disc (Fig. O/5), and the blade (Fig. O/6).

Before installing a new blade, check that both blade flange discs are clean. Place a new or sharpened blade on the back flange disc (Fig. O/7), so that the marked side of the blade is facing outwards and the arrows on the blade are facing in the same direction as the rotation direction markings on the inside of the blade case. Ensure that the new blade goes right to the bottom in the back flange disc. Put the blade flange disc, the washer, and the securing bolt back in place. Press the spindle lock button and tighten the blade securing bolt. Put the blade guard cover back in place and tighten the bolts.

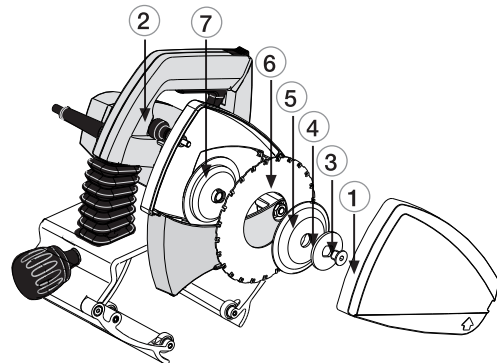
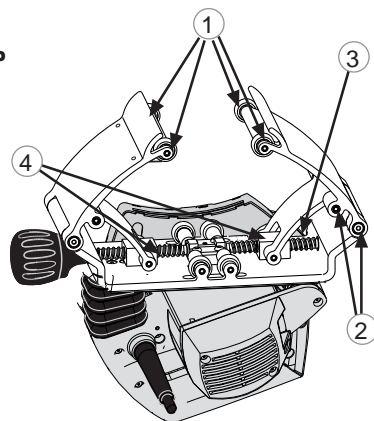




Fig P





Maintenance and servicing instructions

 **WARNING:** To reduce the risk of injury, turn unit off and disconnect it from power source before installing and removing accessories, before adjusting or when making repairs. An accidental start-up can cause injury.

 **WARNING:** To reduce the risk of injury, DO NOT TIE, TAPE, OR OTHERWISE LOCK THE ON/OFF SWITCH ON while "running in". HOLD BY HAND ONLY.

Cleaning

 **WARNING:** Periodically blowing dust and chips out of the motor housing using clean, dry compressed air is a suggested maintenance procedure. To reduce the risk of serious personal injury, ALWAYS wear ANSI Z87.1 safety glasses while using compressed air.

 **WARNING:** When cleaning, use only mild soap and a damp cloth on plastic parts. Many household cleaners contain chemicals which could seriously damage plastic. Also, do not use gasoline, turpentine, lacquer or paint thinner, dry cleaning fluids or similar products which may seriously damage plastic parts. Never let any liquid get inside the tool; never immerse any part of the tool into a liquid.

Gripper unit

Clean the gripper unit regularly with compressed air. Lubricate the gripper's wheel axles (Fig. P/1) and its joints (Fig. P/2). Also clean and lubricate the gripper's trapezoidal screw (Fig. P/3) and the two worm screws on it (Fig. P/4).

Blade guard

When you have sawn plastic pipes and then intend to start sawing metal pipes always clean the inside of the blade guards. Hot particles derived from sawing metal will burn plastic particles, which may release toxic smoke. Make it a rule to clean the blade guard regularly, and pay special attention to keep the moving blade guard movement from becoming hampered. Lubricate the axis of the moving blade guard regularly.

Motor

Keep the motors cooling vents clean.

Power cable

WARNING: Check the condition of the power cable regularly. A faulty power cable should always be replaced at an approved service agency. Correct use and regular servicing and cleaning will ensure the continued operation of the pipe saw.


Accessories

WARNING: Since accessories, other than those offered by Exact Tools, have not been tested with this product, use of such accessories with this tool could be hazardous. To reduce the risk of injury, only Exact Tools, recommended accessories should be used with this product.

Recommended accessories for use with your tool are available at extra cost from your local dealer or authorized service center. If you need assistance in locating any accessory, please visit our website www.exacttools.com.

Blades

WARNING: VISUALLY EXAMINE CARBIDE BLADES BEFORE USE. REPLACE IF DAMAGED

 **WARNING:** To minimize the risk of eye injury, always wear ANSI Z87.1 approved eye protection. Carbide is a hard but brittle material. Foreign objects in the work piece such as wire or nails can cause tips to crack or break. Only operate saw when proper saw blade guard is in place. Mount blade securely in proper rotation before using, and always use a clean, sharp blade.

A dull blade will cause inefficient cutting, overload on the saw motor.

Change blades when it is no longer easy to push the saw through the cut, when the motor is straining, or when excessive heat is built up in the blade. It is a good practice to keep extra blades on hand so that sharp blades are available for immediate use. Dull blades can be sharpened in most areas; see SAWS-SHARPENING in the yellow pages.

Your PipeCut pipe saw is designed for use with 5,51" (140 mm) diameter blades that have a 2.44" (62 mm) diameter bore. Blades must be rated for 4200 RPM operation (or higher). DO NOT use any abrasive wheels.

See blade selection on page 2

Repairs

To assure product SAFETY and RELIABILITY, repairs, maintenance and adjustments should be performed by a authorized service center or other qualified service personnel. Always use identical replacement parts.

Environment



Separate collection. This product must not be disposed of with normal household waste. When your Exact PipeCut 220E machine is worn out, do not dispose of it with normal household waste. This product must be recycled separately. Separate recycling of used products and packaging facilitate recycling and recovery of materials. Reusing of recycled materials helps prevent pollution of environment. According to local regulations it is possible to deliver household appliances to municipal rubbish depositories or to the dealer when buying a new product.

Guarantee

If the Exact PipeCut 220E pipe saw becomes unusable due to material or manufacturing faults within 24 months of the date of purchase, we will replace the damaged parts with new ones or supply an entirely new or factory-reconditioned pipe saw to replace the damaged one.

The guarantee is only valid if:

The guarantee card or a dated purchase receipt is returned to the manufacturer or retailer.

The pipe saw has not been misused.

No attempt has been made by non-approved persons to repair the saw.

The pipe saw has been used in accordance with these operating, safety, and servicing instructions. The guarantee does not apply to blades or the overload protection.

Tips for using Exact PipeCut saws

Diamond blade should only be used for cutting cast iron pipe. It is not recommended to cut cast iron with TCT or Cermet blades.

Clean the inside of the blade guards after cutting plastic pipe.

Smaller pipe is easily cut by rotating the pipe by hand either on a table or on the floor. Please note: rotate pipe towards you when rotating by hand and be careful not to rotate too fast.

Check the condition of the blade regularly.

The cutting procedure is divided into two stages; first saw through the pipe wall, then complete the

cut by sawing around it.

Do not overload the saw by cutting continuously. The saw will be overheated and the metal parts can become burning hot. This will also damage the motor and the blade. The rule is 2.5 minutes in use and 7.5 minutes rest.

Keep the feeding speed constant. This will extend the lifetime of the blade. For example cutting time for a steel pipe diameter of 6" (170mm), and a wall thickness of 1/5" (5mm), is 45-60 seconds, and for a cast-iron pipe diameter of 4" (110mm), with a wall thickness of 1/6" (4mm) is 30 to 45 seconds.

Always keep the motor unit in the upright position. The yellow mark of the unlock button is then visible. Never place the Pipe Cut Saw on the pipe in the locked / cutting position.

Factors that affect the lifetime of the saw blade:

- material of the pipe
- correct blade type for material being cut
- correct motor speed setting
- wall thickness of the pipe
- feeding speed
- smoothness of the pipe
- user's general skills
- cleanliness of the pipe
- rust on the pipe
- welded seam in the pipe
- blade speed

Factors that affect the straightness of the cut:

- condition of the saw blade
- wall thickness of the pipe
- feeding speed
- smoothness of the feed
- user's general skills
- cleanliness of the pipe
- roundness of the pipe
- gripper unit too loose or too tight
- blade assembled too tight

Due to continuous product development, the information in this instruction book may change. We do not give separate notification of changes.

Sommaire

- 18. Données techniques
- 18. Contenu du kit

Sécurité

- 19. Précautions d'emploi

Opération

- 22. Description du fonctionnement
- 22. Usage prévu
- 23. Avant de mettre en marche l'outil
- 23. Relier l'outil à l'alimentation
- 23. Régler le point de coupe avec précision
- 23. Placer le tuyau sur les supports
- 24. Attacher la scie au tuyau
- 24. Percer la paroi du tuyau
- 24. Scier autour du tuyau
- 25. Protection anti-surcharge
- 25. Précision de coupe et roulette de réglage

- 26. **Installer et changer la lame de la scie**

- 27. **Dépannage et conseils d'entretien**

- 28. **Environnement / Recyclage**


- 28. **Garantie / Conditions de la garantie**

- 28. **Trucs pour les utilisateurs**


Vue éclatée (voir document séparé)


Définitions: consignes de sécurité

Les définitions ci-dessous décrivent le niveau de gravité pour chaque mention d'avertissement. Veuillez lire attentivement ce manuel en portant une attention particulière à ces symboles.

 **DANGER**: Indique une situation au danger imminent qui, si elle n'est pas évitée, **entraînera la mort ou des blessures graves**.

 **AVERTISSEMENT**: Indique une situation potentiellement dangereuse qui, si elle n'est pas évitée, **pourrait entraîner la mort ou des blessures graves**.

 **ATTENTION**: Indique une situation potentiellement dangereuse qui, si elle n'est pas évitée, **peut entraîner des blessures mineures ou peu graves**.

 **AVISÉ**: Indique un énoncé **non relié à un dommage corporel** qui, s'il n'est pas évité, **peut causer des dommages à la propriété**.

 Dénote un risque de choc électrique.

L'étiquette apposée sur votre outil ou de ce manuel peuvent inclure des symboles. Les symboles et leurs définitions sont énumérées à la page 41.

Mode d'emploi, consignes de sécurité et de dépannage

Veillez lire attentivement ce mode d'emploi et les consignes de sécurité et de dépannage avant d'utiliser la scie. Assurez-vous de conserver ce manuel à un endroit accessible à toute personne qui souhaiterait utiliser la scie. Indépendamment de ces consignes, respectez les directives concernant le travail, la santé et la sécurité. L'utilisation de la scie Exact PipeCut est exclusivement réservée aux professionnels.

Caractéristiques techniques

Modèle	Pipecut 220E
Tension	120 / 60 Hz
Courant	9.2 A
Vitesse si déchargée	1600-3500 /min
Fonctionnement discontinu	2.5 min ON / 7.5 min OFF (S3 25%)
Diamètre de la lame	5.51" (140 mm)
Trou de fixation de la lame	2.44" (62 mm)
Poids	13.2 lbs (6,0 kg)
Plage d'utilisation Ø	0.6" - 8.6" (15 mm - 220 mm)
Épaisseur max. acier	0.23" (6 mm)
Épaisseur max. plastique	0.55" (14 mm)
Classe de protection	□ / II
Verrouillage	OUI
Présélection de la vitesse	OUI
Contrôle électronique constant	OUI
Protection de surcharge	OUI
Courant de démarrage réduit	OUI

Exact PipeCut 220E système de coupe pour tuyaux Contenu du kit :

Veillez vérifier que le kit comprend bien les articles suivants (page 4):

1. Mallette pour système de coupe de tuyaux
2. Exact PipeCut 220E scie
3. Supports de coupe (4)
4. Mode d'emploi clés
5. Six pans creux 5 mm et 2 mm
6. Lame en métal dur fritté (140 x 62) ajustée à la machine
7. Disque vidéo DVD

Règles générales de sécurité pour les outils électriques



Lire toutes les règles de sécurité et toutes les instructions. Le non respect de ces consignes et instructions peut provoquer choc électrique, incendie et/ou blessures graves.

Conserver toutes les consignes et instructions pour référence ultérieure.

Le terme "outil électrique" dans les consignes désigne vos outils électriques alimentés sur secteur (avec cordon) ou sur batterie (sans fil).

1. Sécurité de la zone de travail

- Garder la zone de travail propre et bien éclairée.** Les établis mal rangés et les zones sombres invitent aux accidents.
- Ne pas utiliser les outils électriques dans une atmosphère explosive, telle qu'en présence de liquides inflammables, de gaz ou de poussières.** Les outils électriques créent des étincelles qui risquent d'enflammer la poussière ou les vapeurs.
- Tenir les enfants et les spectateurs éloignés, lors de l'utilisation de l'outil électrique.** Une distraction peut faire perdre le contrôle de la machine.

2. Sécurité électrique

- La fiche de secteur de l'outil électrique doit être appropriée à la prise de courant. Ne modifier en aucun cas la fiche. Ne pas utiliser de fiches d'adaptateur avec des outils avec mise à la terre.** Les fiches non modifiées et les prises de courant appropriées réduisent le risque de choc électrique.
- Éviter le contact physique avec des surfaces mises à la terre telles que tuyaux, radiateurs, fours et réfrigérateurs.** Il y a un risque élevé de choc électrique au cas où votre corps serait relié à la terre.
- Ne pas exposer l'outil électrique à la pluie ou à l'humidité.** La pénétration d'eau dans un outil électrique augmente le risque d'un choc électrique.
- Ne pas utiliser le câble à d'autres fins que celles prévues. Ne pas utiliser le câble pour porter l'outil, pour l'accrocher ou encore pour le débrancher de la prise de courant. Maintenir le câble éloigné des sources de chaleur, des parties grasses, des bords tranchants ou des parties de l'outil en rotation.** Un câble endommagé ou torsadé augmente le risque d'un choc électrique.
- En cas d'usage à l'extérieur, utiliser une rallonge autorisée homologuée pour les applications extérieures.** L'utilisation d'une rallonge électrique homologuée pour les applications extérieures réduit le risque d'un choc électrique.
- Si l'usage d'un outil dans un emplacement humide est inévitable, utiliser un disjoncteur de fuite à la terre.** L'utilisation d'un disjoncteur de fuite à la terre réduit le risque de choc électrique.

3. Sécurité personnelle

- Être vigilant, surveiller le travail effectué et faire preuve de jugement lors de l'utilisation d'un outil électrique. Ne pas utiliser un outil en état de fatigue ou sous l'influence de drogues, d'alcool ou de médicaments.** Un moment d'inattention lors de l'utilisation de l'outil électrique peut entraîner des dommages corporels graves.

- Utiliser un équipement de protection personnel. Toujours utiliser des lunettes de sécurité.** L'utilisation d'équipements de protection tels que les masques anti-poussière, les chaussures de sécurité antidérapantes, les casques ou les protections auditives dans des conditions appropriées réduisent les risques de blessures.
- Empêcher tout démarrage accidentel. S'assurer que l'interrupteur se trouve à la position d'arrêt avant de relier l'outil à la source d'alimentation électrique, de ramasser ou de transporter l'outil.** Transporter un outil électrique alors que le doigt repose sur l'interrupteur ou brancher un outil électrique dont l'interrupteur est à la position de marche risque de provoquer un accident.
- Retirer toute clé de réglage ou clé avant de démarrer l'outil.** Une clé qui est laissée attachée à une partie pivotante de l'outil électrique peut provoquer des dommages corporels.
- Ne pas trop tendre les bras. Garder en permanence une position et un équilibre corrects.** Cela permet de mieux maîtriser l'outil électrique dans des situations imprévues.
- S'habiller correctement. Ne pas porter des vêtements larges ou des bijoux. Tenir ses cheveux, vêtements et gants éloignés des parties mobiles.** Les vêtements larges, les bijoux et les cheveux longs peuvent se prendre dans les parties mobiles.
- Lorsqu'un dispositif de connexion à un système de dépolluissage ou d'élimination est fourni, s'assurer qu'il est relié et utilisé correctement.** L'utilisation d'un dispositif de dépolluissage peut réduire les risques engendrés par les poussières.


4. Utilisation et entretien des outils électriques

- Ne pas forcer un outil électrique. Utiliser l'outil approprié au travail en cours.** L'outil approprié effectuera un meilleur travail, de façon plus sûre et à la vitesse pour laquelle il a été conçu.
- Ne pas utiliser un outil électrique dont l'interrupteur est défectueux.** Tout appareil dont l'interrupteur est défectueux est dangereux et doit être réparé.
- Débrancher la fiche de la source d'alimentation de l'outil électrique avant de faire tout réglage ou changement d'accessoire, ou avant de ranger ce dernier.** Ces mesures préventives réduisent les risques de démarrage accidentel de l'appareil.
- Après usage, ranger les outils électriques hors de la portée des enfants, et ne permettre à aucune personne n'étant pas familière avec un outil électrique ou les présentes instructions d'utiliser ce dernier.** Les outils électriques sont dangereux entre les mains des novices.
- Entretenir les outils électriques. Vérifier les pièces mobiles pour s'assurer qu'elles sont bien alignées et tournent librement, qu'elles sont en bon état et ne sont affectées d'aucune condition susceptible de nuire au bon fonctionnement de l'outil. En cas de dommage, faire réparer l'outil électrique avant toute nouvelle utilisation.** Bien des accidents sont causés par des outils mal entretenus.
- Maintenir tout outil de coupe bien aiguisé et propre.** Les outils de coupe bien entretenus et affûtés sont moins susceptibles de se coincer et sont plus faciles à contrôler.
- Utiliser un outil électrique, ses accessoires, mèches, etc., conformément aux présentes instructions et suivant la manière prévue pour ce type particulier d'outil électrique, en tenant compte des conditions de travail et du travail à effectuer.** L'utilisation d'un outil électrique pour toute opération autre que celle pour laquelle il a été conçu est dangereuse.

5. Entretien

Faire entretenir les outils électriques par un réparateur qualifié en n'utilisant que des pièces de rechange identiques. Cela permettra d'assurer l'intégrité de l'outil électrique et la sécurité de l'utilisateur.

Consignes de sécurité pour les scies circulaires

- a)  **DANGERÉ: Ne pas approcher les mains de la zone de coupe ni de la lame. Mettre la seconde main sur le carter moteur.** Si les deux mains tiennent la lame, elles risquent d'être coupées par la lame.
- b) **Ne pas passer la main sous la pièce.** La protection ne protégera pas l'opérateur de la lame sous la pièce.
- c) **Ne jamais tenir la pièce à couper avec les mains ou sur le genou. Maintenir la pièce à usiner sur une plate-forme stable.** Il est important de soutenir la pièce correctement pour éviter tout risque d'exposition du corps, tout voilage de la lame et toute perte de contrôle de l'outil.
- d) **Tenir l'outil par ses surfaces de saisie isolées lors d'un travail dans un endroit où la lame risque d'entrer en contact avec des fils cachés ou son propre cordon.** Tout contact avec un fil sous tension transmettra du courant dans les parties métalliques de l'outil et électrocutera l'utilisateur.
- e) **Toujours utiliser des lames avec des orifices d'alésage de la taille et de la forme correctes (carrés ou ronds).** Des lames ne correspondant pas au système de montage de la scie auront une rotation excentrée, ce qui provoquera une perte de contrôle de l'outil.
- f) **Ne jamais utiliser de rondelles ni de boulons de lame endommagés ou incorrects.** Les rondelles et le boulon de lame ont été spécialement conçus pour la scie, et ils garantiront les performances et la sécurité maximales.
- g) **Si la lame est voilée, ou si la coupe est interrompue pour une raison ou pour une autre, relâcher la gâchette et tenir la scie sans bouger dans le matériau jusqu'à ce que la lame arrive à un arrêt complet. Ne jamais tenter de retirer la scie du matériau ni tirer la scie vers l'arrière si la lame tourne.** Rechercher la cause du voilage de la lame et corriger le problème.
- h) **Lorsqu'on remet la scie en marche alors que la lame est enfoncée dans la pièce, centrer la lame sur le plateau de découpe et vérifier que les dents ne sont pas engagées dans le matériau.** Si la lame est voilée, elle risque de se relever lorsque la scie sera remise en marche.
- i) **Ne pas utiliser de lame émoussée ou endommagée.** Une lame non affûtée ou incorrectement montée engendrera des traits de scie étroits, provoquant une friction excessive et un voilage de la lame.
- j) **Faire particulièrement attention lors d'une "coupe en plongée" dans une paroi existante ou tout autre endroit aveugle.** La lame pourrait couper des objets, ce qui risque de provoquer un retour de lame.
- k) **Vérifier que la protection inférieure se referme bien avant chaque utilisation. Ne pas faire fonctionner la lame si la protection inférieure ne se déplace pas librement et ne se referme pas instantanément. Ne jamais fixer ni attacher la protection inférieure en position ouverte.** Si la lame tombe accidentellement,

la protection inférieure risque de se voiler. Relever la protection inférieure avec la poignée de rétraction et s'assurer qu'elle se déplace librement et qu'elle ne touche pas la lame ni aucune autre pièce à tous les angles et toutes les profondeurs de coupe.

- l) **Si la protection fonctionne pas correctement, il faudra les faire réparer avant de les utiliser.** Le fonctionnement de la protection inférieure risque d'être lent s'il y a des pièces endommagées, des dépôts gluants ou une accumulation de débris.
- m) **Ne pas mettre les mains dans l'éjecteur de sciure.** Elles pourraient être blessées par les parties pivotantes.
- n) **Ne pas travailler la scie au dessus de la tête.** Cela ne donnerait pas de contrôle suffisant sur l'outil.
- o) **Ne pas faire fonctionner l'outil électrique immobile.** Il n'est pas conçu pour fonctionner avec une table d'appui.
- p) **Ne pas utiliser de lames en acier à coupe rapide.** De telles lames peuvent casser facilement.
- q) **L'opérateur utilisant la machine doit toujours la tenir fermement des deux mains et adopter une position stable.** Le guidage de l'outil électrique est plus sûr à deux mains.
- r) **Fixer la pièce.** Une pièce maintenue par des portetubes est plus stable que tenue avec les mains.
- s) **Avant de déposer l'outil électrique, toujours attendre que celui-ci soit complètement à l'arrêt.** L'outil risque de se coincer, ce qui entraîne une perte de contrôle de l'outil électrique.
- t) **Ne jamais utiliser une machine dont le câble est endommagé. Ne pas toucher à un câble endommagé et retirer la fiche du câble d'alimentation de la prise du courant, au cas où le câble serait endommagé lors du travail.** Un câble endommagé augmente le risque d'un choc électrique.

Consignes de sécurité pour les scies type plonger

- a) **Vérifier que la protection ferme bien avant toute utilisation.** Ne pas faire fonctionner la scie si la protection ne se déplace pas librement pour protéger immédiatement la lame. Ne jamais fixer ou bloquer la protection en laissant la lame accessible. Si la scie tombe accidentellement, la protection peut être faussée. Vérifier que la protection bouge librement et ne touche ni la lame, ni un autre élément, quelle que soit l'angle et la profondeur de coupe.
- b) **Vérifier le fonctionnement et l'état du ressort de rappel de la protection.** Si la protection et le ressort ne fonctionnent pas correctement, ils doivent être réparés avant utilisation. La protection peut ne pas bien fonctionner en raison de pièces endommagées, de dépôts de gomme ou une accumulation de débris.
- c) **S'assurer que la plaque de guidage de la scie ne se décale pas lors de la coupe plongeante si la lame n'est pas réglée à 90°.** Le déplacement latéral de la lame provoquera un blocage et probablement un retour de lame.
- d) **Toujours veiller à ce que la protection couvre la lame avant de déposer la scie sur l'établi ou le sol.** Une lame en rotation non protégée entraînera un mouvement de recul de la scie, en coupant tout sur son passage.

Autres règles spécifiques de sécurité

Ne jamais utiliser la scie pour tubes dans les cas suivants:


- Si l'y a de l'eau ou un autre liquide, des gaz explosifs ou des produits chimiques nocifs à l'intérieur du tube à couper.
- Si l'interrupteur est défectueux.
- Si le câble d'alimentation est défectueux.
- Si la lame est pliée.
- Si la lame est émoussée ou en mauvais état.
- Si les composants en plastique sont cassés ou incomplets.
- Si l'unité de serrage n'est pas correctement serrée autour du tube ou si elle est déformée.
- Si l'enveloppe protectrice du carter de la lame ou le carter de lame mobile a été endommagé ou retiré de la machine.
- Si les mécanismes de verrouillage ne fonctionnent pas correctement (bouton D'ÉVERROUILLER).
- Si la scie est mouillée.


Lors de l'utilisation de la scie, il faut toujours prendre en compte les facteurs suivants:

- Soutenir les tubes de façon à réduire les risques de pincement de la lame.
- S'assurer que le tube à couper est vide.
- S'assurer que la lame est correctement montée.
- S'assurer que le diamètre et l'épaisseur de la lame sont adaptés à la scie et que la lame est adaptée à la plage rpm de la machine.
- Ne jamais forcer la lame à s'arrêter de force, la laisser s'arrêter toute seule.
- Contrôler les fixations des carters de lame.
- Ne pas forcer sur la scie lors de son utilisation.
- Ne jamais utiliser la scie pour soulever le tube si elle est toujours attachée dessus.
- Éviter de surcharger le moteur électrique.
- Toujours respecter les conseils d'utilisation et précautions d'emploi, ainsi que les directives en vigueur.


Prendre des précautions autour des événements car ils recouvrent des pièces mobiles. Les vêtements larges, les bijoux et les cheveux longs peuvent se prendre dans les parties mobiles.


La vitesse nominale des accessoires doit être équivalente ou supérieure à celle recommandée sur l'étiquette d'avertissement de l'outil. Les accessoires tournant à une vitesse supérieure à sa vitesse nominale peuvent se briser et occasionner des blessures lorsque des fragments de métal sont projetés. L'intensité nominale des accessoires doit toujours être supérieure à la vitesse de l'outil indiquée sur la plaque signalétique.

 **AVERTISSEMENT: TOUJOURS porter une protection auditive personnelle appropriée conforme à la norme ANSI S12.6 (S3.19) durant l'utilisation.** Sous certaines conditions et selon la durée d'utilisation, le bruit émanant de ce produit pourrait contribuer à la perte d'audition. Travaillant avec divers matériaux, il se peut que le niveau sonore varie et dépasse parfois la limite des 85 dB(A). Toujours utiliser des protections auditives pour se protéger.

 **AVERTISSEMENT: TOUJOURS** porter des lunettes de sécurité. Les lunettes ordinaires ne sont PAS des lunettes de sécurité. Utiliser également un écran facial ou un masque antipoussières en cas d'opération de coupe poussiéreuse. **TOUJOURS PORTER UN EQUIPEMENT DE SÉCURITÉ CERTIFIÉE:**

- ANSI Z87.1 protection oculaire (CAN/CSA Z94.3),
- ANSI S12.6 (S3.19) protection auditive,
- NIOSH/OSHA/MSHA protection respiratoire.

 **AVERTISSEMENT: Utiliser des gants de sécurité** car les bords des tubes coupés sont tranchants et peuvent causer des coupures.


 **AVERTISSEMENT: Certaines poussières dégagées par le sablage mécanique, le sciage, le meulage, le perçage et autres opérations de construction contiennent des substances chimiques dont on sait qu'elles causent des cancers, des anomalies congénitales ou d'autres dommages liés à la reproduction. Voici quelques exemples de substances chimiques:**

- le plomb contenu dans les peintures à base de plomb,
- la silice cristalline continue dans les briques, le ciment et autres produits de maçonnerie et
- l'arsenic et le chrome contenus dans le bois d'œuvre traité par des moyens chimiques.

Le risque résultant de l'exposition à ces substances est variable et dépend de la fréquence à laquelle on fait ce genre de travail. Pour réduire son exposition à ces substances, il faut: travailler dans un endroit bien ventilé et porter un équipement de sécurité agréé, comme ces masques antipoussières spécialement conçus pour retenir les particules microscopiques.

Éviter tout contact prolongé avec les poussières dégagées par le sablage mécanique, le sciage, le meulage, le perçage et autres opérations de construction.

Porter des vêtements de protection et nettoyer les parties exposées du corps avec de l'eau savonneuse. S'assurer de bien se protéger afin d'éviter d'absorber par la bouche, les yeux ou la peau des produits chimiques nocifs.


 **AVERTISSEMENT: Cet outil peut produire et répandre de la poussière susceptible de causer des dommages sérieux et permanents au système respiratoire. Toujours utiliser un appareil respiratoire anti-poussières approuvé par le NIOSH ou l'OSHA. Diriger les particules dans le sens opposé du visage et du corps.**


Rallonges

Pour des raisons de sécurité, la rallonge doit comporter un diamètre de fil (AWG ou American Wire Gauge, norme américaine des dimensions de fils) approprié. Plus le numéro de jauge du fil est petit, plus la capacité du câble est grande; par exemple, un numéro de jauge égal à 16 correspond à une capacité plus grande qu'un numéro de jauge égal à 18. L'usage d'une rallonge de calibre insuffisant causera une chute de tension entraînant perte de puissance et surchauffe. Lorsqu'on utilise plusieurs rallonges pour obtenir la longueur totale, on doit s'assurer que les fils de chacune d'elles sont au moins du calibre minimum nécessaire. Le tableau ci-dessous illustre les calibres à utiliser selon la longueur de rallonge et l'intensité nominale indiquée sur la plaque signalétique. En cas de doutes, utiliser le calibre suivant. Plus le calibre est petit, plus la rallonge peut supporter de courant. (voir page 4)

Moteur

Veiller à ce que la tension d'alimentation soit conforme aux exigences de la plaque signalétique de l'outil. Une baisse de tension de plus de 10% entraîne une perte de puissance et la surchauffe. Tous les produits Exact Tools sont testés avant de quitter l'usine; lorsque celui-ci refuse de fonctionner, vérifier la source de courant électrique.

 **AVERTISSEMENT:** La vitesse nominale des accessoires doit être équivalente ou supérieure à celle recommandée sur l'étiquette d'avertissement de l'outil. Les accessoires tournant à une vitesse supérieure à sa vitesse nominale peuvent se briser et occasionner des blessures. L'intensité nominale des accessoires doit toujours être supérieure à la vitesse de l'outil indiquée sur la plaque signalétique.

 **ATTENTION:** Éviter tout contact direct avec les dents de scie pour prévenir tout dommage corporel.

Description du fonctionnement

Lire toutes les règles de sécurité et toutes les instructions. Le non respect de ces consignes et instructions peut provoquer choc électrique, incendie et/ou blessures graves.

En lisant les instructions de fonctionnement, déplier la page des graphiques pour la machine et la laisser ouverte.

Usage prévu

PipeCut 220E :

La scie pour tubes PipeCut 220E a été conçue comme un outil de tuyauteur sur le site de l'installation. La scie 220E peut seulement être utilisée pour couper des tubes ronds d'un diamètre de 0,6" - 8,6" (15 - 220 mm) et d'une épaisseur de paroi d'un maximum de 0,23" (6 mm) avec de l'acier et d'autres matériaux ferreux et non ferreux et 0,51" (14 mm) avec du plastique. La scie PipeCut 220E peut être utilisée pour couper tous les matériaux ordinaires de tubes, tels que l'acier, l'acier inoxydable, la fonte, le cuivre, l'aluminium et le plastique. La scie PipeCut 220E a été

conçue pour un usage court et intermittent. La machine peut être chargée pendant 2,5 minutes par période de 10 minutes (S3 25 %). La scie PipeCut 220E n'est pas conçue pour être utilisée en production industrielle. Se servir des porte-tubes pour supporter le tube.

Fonctions du produit

En lisant les instructions de fonctionnement, déplier la page des graphiques pour la machine et la laisser ouverte. Cette page est pliée derrière la couverture de ce manuel (page 3). La numérotation suivante des fonctions du produit renvoie à cette illustration.

1. **Bouton de DÉVERROUILLAGE (UNLOCK button)**
2. **Bouton marche / arrêt**
3. **Levier de blocage du bouton marche / arrêt**
4. **Enveloppe protectrice du carter de lame**
5. **Carter de lame mobile**
6. **Arête du carter de lame mobile**
7. **Roues de freinage**
8. **Roulette de réglage**
9. **Poignée de commande**
10. **Vis du carter de lame**
11. **Bouton de verrouillage**
12. **Moteur**
13. **Clé de la lame (et clé de la roulette de réglage)**
14. **Plaque caractéristique**
15. **Protection anti-surcharge ou régulateur rpm**
16. **Unité de serrage**
17. **Poignée de réglage des griffes de serrage**

Mode d'emploi du système de coupe pour tuyaux PipeCut 220E

Avant de mettre en marche l'outil

Assurez-vous que le moteur soit dans une position correcte. L'indicateur jaune sur le bouton UNLOCK apparaît.

Vérifiez que la lame soit correctement aiguisée, en bon état et qu'elle soit bien adaptée au matériau à découper.

Assurez-vous que les roues du guide de la scie tournent correctement.

Assurez-vous que les roues du support tournent correctement.

Contrôlez l'état du carter de lame inférieur.

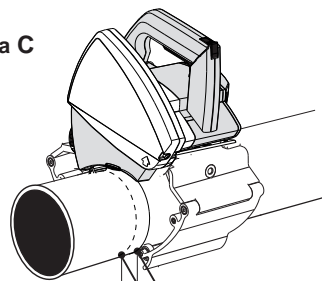
Assurez-vous que le tuyau soit vide.

Si vous avez découpé des tuyaux en plastique à l'aide de la scie (et que des éclats de plastique se sont dispersés), ouvrez la partie protectrice du carter de lame et nettoyez prudemment le carter inférieur et l'ensemble de la scie.

Relier l'outil à l'alimentation

Assurez-vous que la tension d'alimentation soit la même que celle indiquée sur la plaque caractéristique (**schéma A/14**). Reliez la scie à la prise uniquement après avoir procédé aux contrôles précédemment énoncés.

schéma C



la marque de coupe
le point de coupe 1"

Régler le point de coupe avec précision

Lorsque vous marquez le point de coupe sur le tuyau, déduisez 1" à la dimension souhaitée (facile à retenir : la marque de coupe est de - 1"). (**schéma C**)

Placer le tuyau sur les supports

Utilisez les supports livrés avec le système pour effectuer la coupe. Cela vous permettra de travailler en toute sécurité et d'obtenir de bons résultats. Travaillez sur un sol plat. Placez le tuyau sur deux supports de manière à ce que le point de coupe se trouve entre les supports. Placez deux supports ou plus aux deux extrémités du tuyau. Assurez-vous que toutes les roues du support soient bien en contact avec le tuyau (ajustez-la si besoin est) (**schéma B**). Lorsque vous découpez des petits tuyaux (de 10" ou moins), placez les supports de manière à ce que le point de coupe soit en dehors des supports (**schéma D**). Vous pouvez vous servir de votre jambe gauche pour soutenir le tuyau, si besoin est. Si vous préparez correctement la coupe, vous éviterez à la lame de s'enrayer au moment où elle commence à découper le tuyau.

schéma B

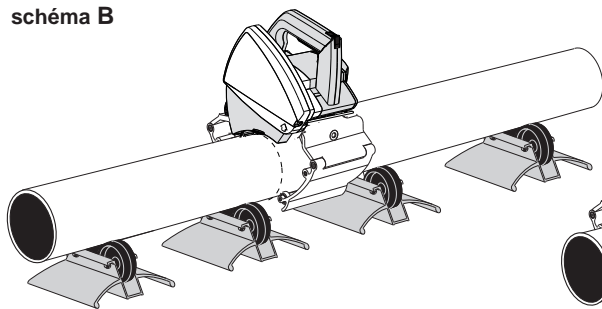
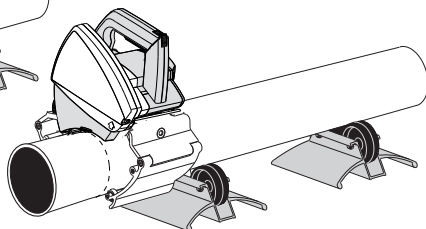


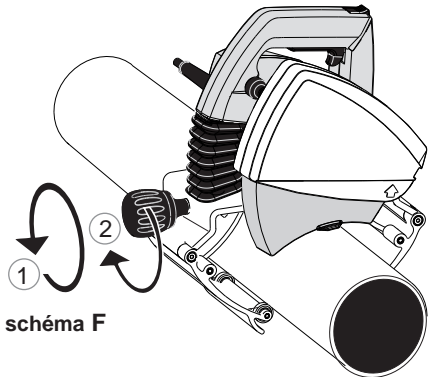
schéma D



Attacher la scie au tuyau

Ouvrez l'unité de serrage de la scie sur le tuyau de manière à ce qu'elle s'ajuste au diamètre du tuyau, en faisant tourner la poignée de réglage située à l'arrière de la scie (**schéma E / 1**). La scie doit être positionnée sur le haut du tuyau pour que le bord du carter de lame inférieur soit sur la marque de coupe. Bloquez la scie sur le tuyau à l'aide de la poignée de réglage du système de serrage jusqu'à ce que les griffes agrippent fermement le tuyau (**schéma E / 2**). Maintenez le tuyau en place et assurez-vous que la scie bouge librement vers le tuyau. Pour des raisons de sécurité, assurez-vous que les angles d'inclinaison de la scie soient sur la gauche de la scie. La scie est maintenant prête.

schéma E



Percer la paroi du tuyau

Agrippez les griffes de serrage fermement avec votre main droite et placez votre pied gauche sur le tuyau, à environ 20° de la scie. Tournez la scie jusqu'à ce qu'elle penche légèrement vers l'avant (**schéma H**). Au démarrage du moteur, commencez par déverrouiller le levier de blocage du bouton de marche (**schéma F / 1**) et appuyez sur le bouton de marche (**schéma F / 2**). Attendez que la lame ait atteint sa vitesse maximum avant de commencer à scier. Percez le tuyau en appuyant doucement sur la poignée de commande de la scie et régulièrement jusqu'à ce que la lame ait découpé la paroi du tuyau (à ce stade le tuyau ne doit plus tourner) et que le moteur soit verrouillé en position de découpage (**schéma H/1**). Jetez un œil au bouton UNLOCK pendant que vous effectuez le perçage. Si le bouton UNLOCK est bloqué (l'indicateur jaune disparaît (**schéma G**)) la scie est verrouillée en position de découpage et vous pouvez commencer à scier autour du tuyau en toute sécurité.

schéma F

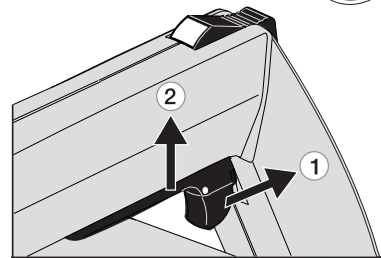
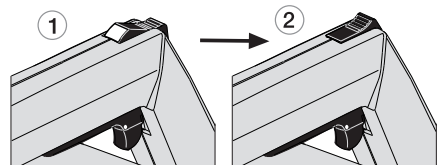


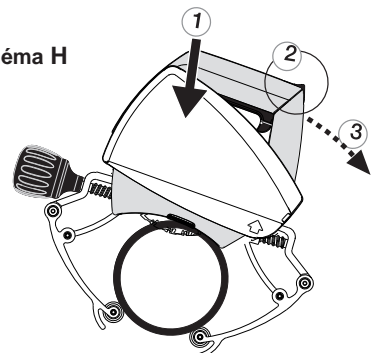
schéma G



Scier autour du tuyau

Commencez à scier en avançant la scie sur l'avant et bloquez le tuyau avec votre pied gauche (**schéma H/3**). Libérez ensuite le tuyau (en enlevant votre pied gauche) et tournez la scie vers l'arrière, le tuyau devant ainsi tourner à l'envers (**schéma J**). Avancez à nouveau la scie et continuez à progresser jusqu'à environ 1/6° de la circonférence du tuyau. Répétez l'action jusqu'à ce que le tuyau soit coupé (**schéma K**).

schéma H



Choisissez la vitesse de coupe en fonction du matériau et de l'épaisseur de la paroi. Une vitesse trop élevée pourrait endommager la lame, surcharger la scie et vous donner de mauvais résultats de coupe.

Une fois la coupe terminée, appuyez sur le bouton UNLOCK jusqu'à ce que l'indicateur jaune apparaisse (**schéma L / 1**). Soulevez maintenant le moteur en position de démarrage (**schéma L / 2**). Relâchez le bouton de marche (**schéma L / 3**). Lorsque la lame est immobile, retirez la scie du tuyau en libérant la poignée de serrage (**schéma L / 4**). Assurez-vous que le carter de lame inférieur mobile se soit mis en position inférieure.

Si vous avez un problème lors du perçage ou du sciage, si vous entendez des bruits anormaux ou si des vibrations vous obligent à arrêter de scier avant d'avoir terminé, libérez la lame en appuyant sur le bouton UNLOCK jusqu'à ce que le bouton UNLOCK soit déverrouillé, et levez l'unité du moteur. Une fois le problème résolu, vous pouvez recommencer à scier.

Ne redémarrez jamais le moteur lorsque l'unité du moteur est verrouillée en position de découpage ou que les dents de la lame sont en contact avec le tuyau.

Protection anti-surcharge et régulateur de vitesse de travail

Le modèle 220E est doté d'un régulateur de vitesse de rotation. Une vitesse de rotation adaptée est sélectionnée en fonction du matériau à couper. Le régulateur est également équipé d'une protection automatique contre les surcharges.

En cas de surcharge: lâcher l'interrupteur marche/arrêt (Fig. L/3). Pousser le bouton UNLOCK vers l'avant jusqu'à ce que la marque jaune soit visible et que le verrouillage est désactivé (Fig. L/1). Le circuit électronique limite le courant et arrête le moteur. Lorsque le moteur s'arrête en raison d'une surcharge, le témoin lumineux rouge sur le coupe-tube s'allume. Le coupe-tube doit alors refroidir tandis que le système électronique détecte la température interne. Le moteur ne redémarre pas (même si le témoin lumineux rouge est éteint) tant que l'interrupteur n'est pas relâché et actionné une nouvelle fois ou que la prise a été débranchée et rebranchée. Le témoin lumineux rouge indique à l'utilisateur que la machine a subi une surcharge.

Le témoin lumineux correspondant s'allume brièvement à chaque démarrage du moteur. Ceci est normal et ne requiert aucune réaction.

Précision de coupe et roulette de réglage

La réussite de la coupe dépend de nombreux facteurs, par ex. la taille du tuyau, le matériau, l'épaisseur de la paroi, la qualité de la surface du tuyau, la rondeur, les lignes de soudage, l'état de la lame, la vitesse de travail, l'expérience de la personne exécutant la découpe. C'est pourquoi le résultat obtenu peut varier, et la coupe peut se déplacer vers la gauche ou la droite (mauvais alignement des points de départ et de fin marquant la coupe) (schéma M).

schéma J

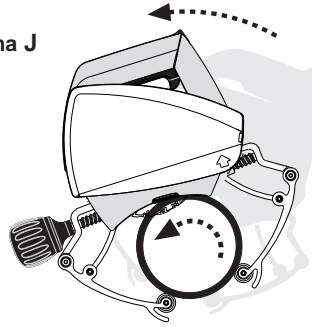


schéma K

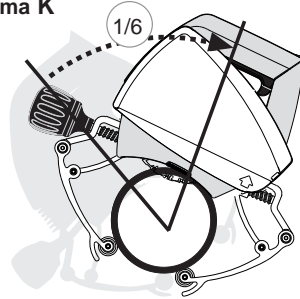


schéma L

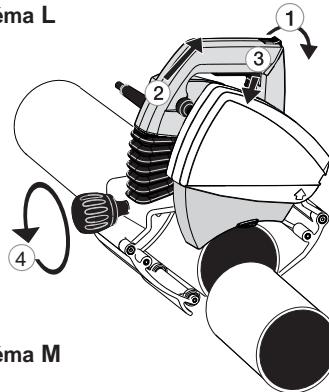


schéma M



entaille gauche



entaille droite

La griffe de serrage de la scie dispose d'une roulette de réglage (**schéma A/9**) qui permet d'améliorer la qualité de la coupe et de réduire le mauvais alignement. Le réglage se fait uniquement par rapport à la taille réelle du tuyau et au matériau, et la roulette pourrait devoir être réajustée si la lame est usée.

Pour ajuster la roulette, libérez la vis de serrage (schéma N/1) et tournez la roulette dans le sens inverse des aiguilles d'une montre ou inversement dans la position souhaitée (schéma N/2), puis verrouillez à nouveau la roulette (schéma N/3). Si la lame se trouve trop sur la droite, ajustez le centre de la roulette en tournant dans le sens des aiguilles d'une montre (signe +). Si elle se trouve trop sur la gauche, procédez de même, mais dans le sens inverse des aiguilles d'une montre (signe -). Le nombre de pas dépend de la mauvaise position en cours. Pensez à lubrifier la roulette de réglage à intervalles réguliers.

schéma N

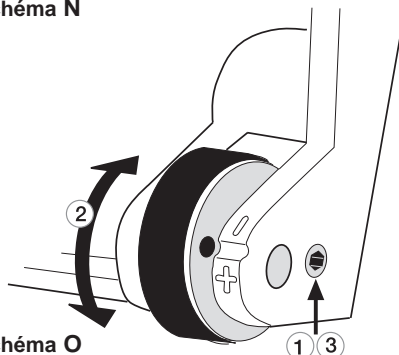


schéma O

Installer et changer la lame de la scie

AVERTISSEMENT: Pour réduire tout risque de dommages corporels, arrêter et débrancher la scie du secteur avant d'installer ou retirer tout accessoire, avant tout réglage ou pour faire toute réparation. Tout démarrage accidentel comporte des risques de dommages corporels.

Débranchez la scie. Vérifiez que l'unité du moteur est verrouillée en position supérieure.

Retirez la protection du carter de lame (**schéma O / 1**) en ouvrant les deux vis (**schéma O / 2**). Appuyez sur le bouton de verrouillage (**schéma A / 11**) et tournez simultanément la lame à la main jusqu'à ce que le bouton de verrouillage descende à une distance d'environ 0,2". Vous éviterez ainsi que la lame ne tourne. Utilisez la clé de la lame pour dévisser la vis de fixation de la lame. Enlevez la vis de sécurité (**schéma O / 3**), la rondelle (**schéma O / 4**), le disque de la lame (**schéma O / 5**) et la lame (**schéma O / 6**).

Avant d'installer une nouvelle lame, vérifiez que les deux disques de la lame sont propres. Mettez une nouvelle lame ou une lame aiguisée sur l'arrière du disque (**schéma O / 7**), de manière à ce que les côtés marqués de la lame soient vers l'extérieur et que les flèches sur la lame soient dans le même sens que les marquages de rotation situés à l'intérieur du boîtier de la lame. Assurez-vous que la nouvelle lame se mette bien au fond à l'arrière du disque. Remettez en place le disque, la rondelle et les vis de sécurité. Appuyez sur le bouton de verrouillage et resserrez la vis de sécurité de la lame. Remettez en place la protection du carter de lame et resserrez les vis.

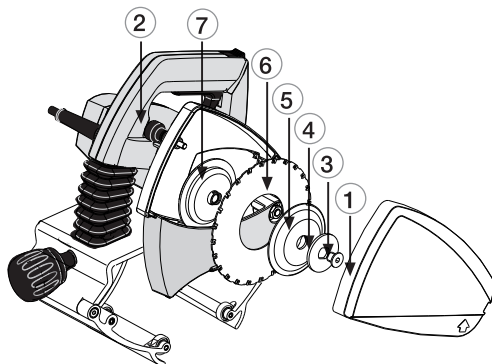
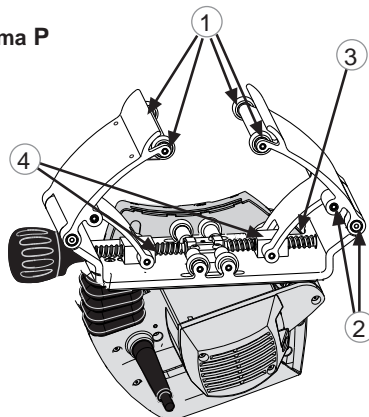





schéma P




Entretien

 **AVERTISSEMENT:** Pour réduire tout risque de dommages corporels, arrêter et débrancher la scie du secteur avant d'installer ou retirer tout accessoire, avant tout réglage ou pour faire toute réparation. Tout démarrage accidentel comporte des risques de dommages corporels.

 **AVERTISSEMENT:** Pour réduire tout risque de dommages corporels, NE PAS ATTACHER, COLLER NI BLOQUER DE TOUTE AUTRE FAÇON LE BOUTON MARCHE / ARRÊT pendant le «fonctionnement». LE TENIR À LA MAIN SEULEMENT.

 **Nettoyage**
AVERTISSEMENT: Pour maintenir l'outil en bon état, il est conseillé d'éliminer régulièrement la poussière et les débris du boîtier du moteur à l'aide d'un jet d'air comprimé sec et net. Pour réduire tout risque de dommages corporels graves, porter SYSTÉMATIQUEMENT une protection oculaire homologuée ANSI Z87.1 pendant l'utilisation d'air comprimé.

 **AVERTISSEMENT:** Pour l'entretien des parties en plastique de l'outil, utiliser seulement un savon doux et un chiffon humide. De nombreux nettoyants domestiques contiennent des produits chimiques qui pourraient sérieusement endommager le plastique. De plus, ne pas utiliser d'essence, de térébenthine, ou de diluant, de produits de nettoyage à sec, ou tout autre produit similaire qui pourrait sérieusement endommager les pièces en plastique. S'assurer qu'aucun liquide ne pénètre dans l'outil ; ne jamais immerger aucune partie de l'outil dans un liquide.

Unité de serrage


Nettoyez régulièrement les griffes de serrage à l'aide d'air comprimé. Lubrifiez les axes des roulettes des griffes (**schéma P / 1**) et ses joints (**schéma P / 2**). Nettoyez et lubrifiez également la vis trapézoïdale des griffes (**schéma P / 3**) et les deux vis sans fin (**schéma P / 4**).


Carter de lame

Lorsque vous voulez scier des tuyaux métalliques après avoir scié des tuyaux plastiques, nettoyez toujours l'intérieur des carters de lame. Les particules chaudes émanant du sciage de métaux brûlent les particules plastiques, ce qui peut dégager une fumée toxique. Prenez l'habitude de nettoyer régulièrement le carter de lame et faites particulièrement attention à ne pas gêner le mouvement du carter de lame mobile. Lubrifiez régulièrement l'axe du carter de lame mobile.


Moteur


Maintenez les clapets de refroidissement du moteur propres.

 **Câble d'alimentation**
AVERTISSEMENT: Vérifiez son état régulièrement. Un câble défectueux doit toujours être remplacé directement auprès d'un service de maintenance homologué.

 **Accessoires**
AVERTISSEMENT: Comme les accessoires autres que ceux offerts par Exact Tools n'ont pas été testés avec ce produit, leur utilisation avec cet appareil pourrait comporter un danger. Pour réduire tout risque de dommages corporels, seuls des accessoires Exact Tools recommandés doivent être utilisés avec cet appareil.

Les accessoires recommandés pour cet outil sont vendus séparément chez les distributeurs locaux ou dans les centres de réparation agréés. Si vous avez besoin d'aide pour localiser ces accessoires, veuillez visiter notre site web www.exacttools.com.

 **Lames**
AVERTISSEMENT: VÉRIFIER VISUELLEMENT LES LAMES AU CARBURE AVANT TOUTE UTILISATION. LES CHANGER SI NÉCESSAIRE.

 **AVERTISSEMENT:** Pour réduire tout risque de lésions oculaires, porter systématiquement une protection oculaire homologuée ANSI Z87.1. Le carbure est un matériau dur mais cassant. Tout objet étranger dans la pièce à usiner, tels que des fils ou des clous, pourrait faire craquer ou casser les dents de scie. Utiliser la scie seulement avec son carter de lame installé de façon adéquate. Installer la lame soigneusement, vérifier sa rotation, sa propreté et son affutage avant toute utilisation.

Une lame émoussée causera des coupes grossières et surchargera le moteur de la scie.

Changez les lames lorsqu'elles ne traversent plus le bois facilement, lorsque le moteur peine ou lorsque la lame chauffe excessivement. Il est conseillé d'avoir des lames de rechange pour ne jamais en manquer. Les lames émoussées peuvent être affûtées un peu partout ; se reporter à la section des pages jaunes SCIÉS-AIGUISER/AFFÛTER.

La scie pour tubes PipeCut a été conçue pour être utilisée avec des lames de 5,51" (140 mm) de diamètre pour un diamètre d'alésage de 2,44" (62 mm). Les lames doivent pouvoir fonctionner à 4200 r/min (ou plus). NE PAS utiliser de meules abrasives.

Sélection de la lame page 2.

Réparations

Pour assurer votre SÉCURITÉ et la FIABILITÉ du produit, les réparations, la maintenance et les réglages doivent être effectués par un centre de réparation agréé ou tout personnel de réparation qualifié. Toujours utiliser des pièces de rechange d'origine.

Environnement



Respectez le tri des déchets. Ce produit ne doit pas être jeté avec les ordures ménagères.

Si votre machine Pipe Cut est usée il est interdit de la jeter dans les ordures ménagères. Ce produit doit être recyclé séparément. Le recyclage séparé de produits usés et emballages facilite le recyclage et la récupération de matériaux. La réutilisation de matériaux recyclés permet d'éviter la pollution de l'environnement. Conformément aux dispositions locales, il est possible de remettre les objets de ce type directement dans une déchetterie ou à votre revendeur.

Garantie

Si votre scie xx devient inutilisable suite à une défaillance technique ou un défaut de fabrication dans les 24 mois suivant l'achat de l'appareil, nous vous remplaçons les pièces défectueuses par de nouvelles pièces ou vous changeons la scie si la vôtre est hors d'usage.

La garantie ne peut s'appliquer que si :

la carte de garantie ou le ticket de caisse (avec la date d'achat figurant sur le ticket) est retourné (e) au fabricant ou au revendeur, la scie n'a pas été utilisée de manière incorrecte, aucune tentative de réparation n'a été effectuée par une personne non homologuée, la scie a été utilisée conformément aux présentes consignes de sécurité, entretien et fonctionnement. La garantie ne s'applique pas aux lames et au système de protection anti-surcharge.

Trucs pour les utilisateurs

N'utiliser que des lames diamantées pour couper des tubes en fonte. Il n'est pas recommandé de couper des tubes en fonte avec des lames TCT ou Cermet.

Nettoyer l'intérieur des carters de lame après avoir coupé un tube en plastique.

On coupe plus facilement un tube de plus petite taille en le tournant manuellement sur une table ou

par terre. À noter: lors d'une rotation manuelle, orienter le tube vers soi et faire attention à ne le faire tourner trop vite.

Vérifier régulièrement l'état de la lame.

La procédure de coupe se divise en deux étapes: scier la paroi du tube, puis achever la coupe en sciant autour.

Ne pas surcharger la scie en coupant en continu. Sous l'effet de la surchauffe, les parties métalliques de la scie pourraient devenir bouillantes. Cela endommagerait également le moteur et la lame. Le principe est d'avoir 2.5 minutes d'utilisation pour 7.5 minutes de repos.

Maintenir une vitesse d'alimentation constante. Cela prolongera la durée de vie de la lame. Ainsi, le temps de coupe pour un diamètre de tube en acier de 6" (170 mm) ayant une épaisseur de paroi de 1/5" (5 mm), est de 45 à 60 secondes, contre 30 à 45 secondes pour un diamètre de tube en fonte de 4" (110mm) ayant une épaisseur de paroi de 1/6" (4 mm).

Toujours maintenir le moteur à la position verticale. La marque jaune du bouton de déverrouillage est alors visible. Ne jamais placer la scie sur le tube dans la position de coupe / verrouillée.

Facteurs affectant la durée de vie d'une lame de scie:

- le matériau du tube
- le type de lame correct pour le matériau coupé
- le bon réglage de vitesse du moteur
- l'épaisseur de paroi du tube
- la vitesse d'alimentation
- le caractère régulier du tube
- les compétences générales de l'utilisateur
- la propreté du tube
- la rouille sur le tube
- une soudure en continu dans le tube
- la vitesse de la lame

Facteurs affectant la linéarité de la coupe:

- l'état de la lame de la scie
- l'épaisseur de paroi du tube
- la vitesse d'alimentation
- le caractère régulier de l'alimentation
- les compétences générales de l'utilisateur
- la propreté du tube
- la rondeur du tube
- l'unité de serrage trop lâche ou trop serrée
- le montage trop serré de la lame

En raison du développement continu de nouveaux produits, il est possible que le contenu de ce mode d'emploi varie. Aucune notification de modification séparée ne sera fournie.

Índice

exact
Pipe Cutting System

- 30. Datos técnicos
- 30. Contenido del paquete

Seguridad

- 31. Instrucciones de seguridad






Funcionamiento

- 34. Descripción funcional
- 34. Características del producto
- 35. Antes de operar la herramienta
- 35. Conexión de alimentación eléctrica
- 35. Ajuste preciso del punto de corte
- 35. Colocación de la tubería sobre soportes
- 36. Sujeción de la sierra a la tubería
- 36. Corte de la tubería
- 36. Aserrar alrededor de la tubería
- 37. Protección frente a sobrecargas
- 37. Alineación del corte y rueda de regulación

- 38. **Colocación y cambio de la hoja de sierra**
- 39. **Instrucciones de servicio y mantenimiento**
- 40. **Medio ambiente** / Eliminación
- 40. **Garantía**/ Condiciones de garantía
- 40. **Consejos para usar las Exact PipeCut**
Vista despiezada (anexo independiente)

Definiciones: Directrices de seguridad

Las siguientes definiciones explican el nivel de intensidad de las palabras de las señalizaciones. Lea detenidamente el manual y preste atención a estos símbolos.

-  **PELIGRO:** Indica una situación inminentemente peligrosa que, si no se evita, **causará la muerte o lesiones graves.**
-  **ADVERTENCIA:** Indica una situación potencialmente peligrosa que, si no se evita, **podría causar la muerte o lesiones graves.**
-  **CUIDADO:** Indica una situación potencialmente peligrosa que, si no se evita, **podría causar lesiones leves o moderadas.**
-  **ATENCIÓN:** Indica una práctica **no relativa a lesiones personales** que, si no se evita, podría **provocar daños materiales.**
-  Denota riesgo de descarga eléctrica.

La etiqueta de la herramienta o en este manual pueden incluir símbolos. Los símbolos y sus definiciones se enumeran en la página 41.

Instrucciones de funcionamiento, seguridad y mantenimiento

Antes de usar la sierra de tubos, lea atentamente estas instrucciones de funcionamiento, seguridad y mantenimiento y guarde este manual en un lugar accesible a quienquiera que utilice la máquina. Además de estas instrucciones, siga siempre las normas oficiales sobre seguridad e higiene en el trabajo. La Exact PipeCut 220E está concebida exclusivamente para uso profesional.

Datos técnicos

Modelo	Pipecut 220E
Tensión	120 / 60 Hz
Actual	9.2 A
Velocidad sin carga	1600-3500 /min
Funcionamiento Intermitente	2.5 min ON / 7.5 min OFF (S3 25%)
Diámetro de la hoja	5.51" (140 mm)
Orificio de fijación de la hoja	2,44" (62 mm)
Peso	13.2 lbs (6,0 kg)
Campo de corte Ø	0,6"- 8.6" (15 mm –220 mm)
Máximo espesor acero	0,23" (6 mm)
Máximo espesor plásticos	0,55" (14 mm)
Clase de protección	□ / II
Bloqueo de eje	SI
Preselección de velocidad	SI
Control electrónico constante	SI
Protección de sobrecarga	SI
Corriente de arranque reducida	SI

Exact PipeCut 220E pipecutting system, Contenido del paquete:

Compruebe que el paquete contiene los siguientes elementos (pág. 4):

1. Caja de la cortadora Pipe Cutting System
2. Sierra para tuberías Exact PipeCut 220E
3. 4 soportes de corte
4. Instrucciones de funcionamiento
5. llaves de tubo hexagonales 5 mm y 2 mm
6. Disco de metal duro instalado en la máquina
7. DVD-video disco con instrucciones

Indicaciones generales de seguridad para herramientas con motor



ADVERTENCIA: Lea todas las advertencias de seguridad y todas las instrucciones. Si no se siguen las advertencias y las instrucciones, podrían provocarse descargas eléctricas, incendios o lesiones graves.

Conserve todas las advertencias e instrucciones para futuras referencias.

El término "herramienta con motor" de las advertencias se refiere a su máquina herramienta con cables (cableada) o batería (inalámbrica).

1) Seguridad en la zona de trabajo

- Mantenga la zona de trabajo limpia y ordenada. Las zonas desordenadas o sucias son una invitación a los accidentes.
- No use las herramientas con motor en atmósferas explosivas, como por ejemplo si hay líquidos, gases o polvo inflamables. Las herramientas con motor generan chispas que podrían encender el polvo o los vapores.
- Mantenga a los niños y espectadores alejados mientras use la herramienta con motor. Las distracciones pueden hacer que pierda el control.

2) Seguridad eléctrica

- Las clavijas de las herramientas con motor deben encajar en los enchufes. No modifique las clavijas bajo ninguna circunstancia. No use clavijas adaptadoras con herramientas con motor con toma a tierra. Si usa las clavijas sin modificar y los enchufes correspondientes, se reducirá el riesgo de descarga eléctrica.
- Evite tocar las superficies con toma a tierra, como tuberías, radiadores, cadenas o refrigeradores. El riesgo de descarga eléctrica aumenta si el cuerpo está conectado a tierra.
- No exponga las herramientas con motor a la lluvia o condiciones húmedas. Si el agua penetra en una herramienta con motor, aumentará el riesgo de descarga eléctrica.
- No maltrate el cable. No use el cable para mover, arrastrar o desconectar la herramienta con motor. Mantenga el cable alejado del calor, aceite, bordes afilados y piezas móviles. Los cables dañados o enredados incrementan el riesgo de descarga eléctrica.
- Para utilizar una herramienta con motor al aire libre, use un cable alargador indicado para usos exteriores. Al usar un cable adecuado para exteriores, se reduce el riesgo de descarga eléctrica.
- Si la herramienta con motor debe usarse en un entorno húmedo inevitablemente, use suministro protegido mediante dispositivo diferencial residual (DDR). Al usar un DDR, se reduce el riesgo de descarga eléctrica.

3) Seguridad personal

- Manténgase alerta, compruebe lo que está haciendo y use el sentido común para manejar una herramienta con motor. No use herramientas con motor si está cansado o bajo la influencia de drogas, alcohol o medicamentos. Un momento de distracción mientras maneja herramientas con motor puede causar lesiones personales graves.
- Use el equipamiento de protección personal. Siempre utilice gafas de seguridad. El equipamiento de protección, como máscara antipolvo, calzado antideslizante, casco o protección auditiva, puede reducir las lesiones personales.

- Asegúrese de que ningún dispositivo puede ponerse en marcha accidentalmente. Asegúrese de que el interruptor está en la posición apagada antes de conectar el suministro eléctrico o de levantar o desplazar la herramienta. Trasladar las herramientas con motor con el dedo sobre el interruptor o conectar al suministro eléctrico herramientas con motor que tienen el interruptor encendido es una clara invitación a accidentes.
- Retire todas las llaves de ajuste o de tuerca antes de encender la herramienta con motor. Dejar una llave de tuerca o de ajuste acoplada a una pieza giratoria de la herramienta podría provocar lesiones personales.
- Evite las posiciones inestables. Mantenga un equilibrio correcto y los pies adelantados en todo momento. De este modo, podrá controlar mejor la herramienta con motor en situaciones imprevistas.
- Lleve ropa adecuada. Evite la ropa floja y las joyas. Mantenga el pelo, la ropa y los guantes alejados de las piezas móviles. El pelo largo y suelto, las joyas y la ropa floja se pueden quedar atrapados en las piezas móviles.
- Si se han suministrado dispositivos para la conexión de los sistemas de extracción y captación de polvo, asegúrese de que están conectados y de que se usan correctamente. Usar la captación de polvos puede reducir los riesgos relativos al polvo.

4) Uso y mantenimiento de la herramienta con motor


- No fuerce la herramienta con motor. Use la herramienta con motor adecuada para su aplicación en concreto. La herramienta con motor correcta realizará el trabajo mejor y con mayor seguridad, a la velocidad para la que fue diseñada.
- No use la herramienta con motor si el interruptor no enciende y apaga. Todas aquellas herramientas con motor que no se puedan controlar con el interruptor son peligrosas y deben repararse de inmediato.
- Desconecte la clavija del suministro eléctrico de la herramienta antes de realizar cualquier ajuste, cambiar accesorios o guardarla. Estas medidas preventivas reducen el riesgo de que la herramienta con motor se ponga en marcha accidentalmente.
- Mantenga las herramientas con motor paradas fuera del alcance de los niños. No permita que las personas que no estén familiarizadas con la herramienta con motor o estas instrucciones usen la herramienta. Las herramientas con motor son peligrosas en manos de usuarios sin formación.
- Mantenimiento de las herramientas con motor. Revise las herramientas en busca de desalineaciones o acoplamiento de piezas móviles, piezas rotas o cualquier otro defecto que pudiera afectar al funcionamiento de la herramienta con motor. Si el cable de alimentación está dañado, repárelo antes de usarlo. Son muchos los accidentes causados por cables de alimentación mal cuidados.
- Conserve las herramientas de corte afiladas y limpias. Es menos probable que las herramientas de corte bien cuidadas, con bordes de corte afilados se traben, por lo que son más fáciles de controlar.
- Use la herramienta con motor, los accesorios, los componentes, etc. conforme a estas instrucciones, teniendo en cuenta las condiciones operativas y el trabajo que va a realizar. Si se usa la herramienta con motor para operaciones distintas a las convencionales, podrían provocarse situaciones peligrosas.

Mantenimiento de las herramientas con motor. Revise las herramientas en busca de desalineaciones o acoplamiento de piezas móviles, piezas rotas o cualquier otro defecto que pudiera afectar al funcionamiento de la herramienta con motor. Si el cable de alimentación está dañado, repárelo antes de usarlo. Son muchos los accidentes causados por cables de alimentación mal cuidados.

5) Mantenimiento técnico

Encargue la revisión y el mantenimiento de su herramienta con motor a personal de reparación cualificado. Deben emplearse únicamente piezas de repuesto idénticas. Esta es la única forma de garantizar que se mantiene la seguridad de la herramienta con motor.

Advertencias de seguridad para sierras circulares

- a)  **PELIGRO:** Mantenga las manos alejadas de la zona de corte y de la hoja. Mantenga la otra mano en la carcasa del motor. Si está sujetando la sierra con ambas manos, la hoja no podrá cortarlas.
- b) **No toque por debajo de la pieza de trabajo.** La guarnición no puede protegerle frente a la hoja por debajo de la pieza de trabajo.
- c) **No sujete jamás la pieza de trabajo con las manos ni sobre el regazo. Fije la pieza a una plataforma estable.** Es importante fijar la pieza bien para minimizar la exposición corporal, problemas con la hoja o la pérdida de control.
- d) **Sujete la herramienta con motor sólo por las superficies de agarre aisladas mientras realice una operación en la que la herramienta de corte podría estar en contacto con cables ocultos o su propio cable.** Tocar un hilo conductor haría que las piezas metálicas expuestas de la herramienta con motor también fuesen conductoras y provocarían una descarga al usuario.
- e) **Use siempre hojas del tamaño y la forma correspondientes (diamante o redondas) al orificio del eje.** Las hojas que no coinciden con el soporte de montaje de la sierra, girarán excéntricamente, lo que provoca la pérdida del control.
- f) **No use arandelas o pernos para la hoja que no sean los adecuados.** Las arandelas y los pernos de las hojas han sido específicamente diseñados para la sierra: rendimiento óptimo y seguridad de uso.
- g) **Si la hoja está trabada o si se interrumpe un corte por el motivo que sea, suelte el gatillo y sujete la sierra sin que se mueva en el material hasta que la hoja se detenga por completo. No intente bajo ninguna circunstancia sacar la sierra de la pieza o tirar de ella hacia atrás mientras la hoja todavía esté en movimiento.** Busque el problema y corrija la causa por la que se traba la hoja.
- h) **Al reiniciar la sierra en la pieza de trabajo, centre la hoja en el corte y compruebe que los dientes de la sierra no se han enganchado en el material.** Si la hoja de sierra está trabada, aléjese de la pieza para reiniciar la sierra.
- i) **No use hojas romas ni dañadas.** Las hojas poco afiladas o mal colocadas producen un corte estrecho lo que causa un exceso de fricción y que se trabe la hoja.
- j) **Preste especial atención al realizar un "corte por penetración" en paredes existentes u otras zonas ciegas.** La hoja saliente podría cortar objetos que pueden producir contragolpes.
- k) **Asegúrese de que la guarnición inferior cierra correctamente antes de cada uso. No utilice la sierra si la guarnición inferior no se mueve libremente o si no se cierra instantáneamente. No afiance ni fije la guarnición inferior en la posición abierta.** Si la

sierra se cae por accidente, la guarnición podría doblarse. Levante la guarnición inferior con el asa de retracción y asegúrese de que se mueve libremente y de que no toca ni la hoja ni otra parte, en cualquiera de los ángulos y las profundidades de corte.

- l) **Si la guarnición no funcionan correctamente, deberán arreglarse antes de usarlos.** La guarnición inferior podría funcionar lentamente a causa de piezas dañadas, depósitos gomosos o acumulación de restos.
- m) **No toque el expulsor de polvo de la sierra con las manos.** Podría lesionarse con las piezas giratorias.
- n) **No trabaje suspendido con la sierra.** En esta posición no tendría suficiente control sobre la herramienta con motor.
- o) **No use la herramienta con motor inmóvil.** No está diseñada para usarse con una mesa de sierra.
- p) **No use hojas de sierra de acero de alta velocidad.** Estas hojas se pueden romper fácilmente.
- q) **Al trabajar con la máquina, sujétela siempre firmemente con ambas manos y en una posición segura.** La herramienta con motor se guía con mayor seguridad si usa las dos manos.
- r) **Fije la pieza de trabajo.** Una pieza fijada con soportes para tubos estará más segura que si la sujeta con las manos.
- s) **Espere hasta que la máquina se haya detenido por completo antes de bajarla.** El inserto se podría atascar y perdería el control sobre la herramienta con motor.
- t) **No use la máquina si el cable está dañado. Mientras esté trabajando, no toque el cable dañado ni tire de la clavija del cable de suministro de red si el cable está dañado.** Los cables dañados aumentan el riesgo de descarga eléctrica.

Advertencias de seguridad para sierras tipo de penetración

- a) **Asegúrese de que la guarnición cierra correctamente antes de cada uso.** No utilice la sierra si la guarnición no se mueve libremente o si no encierra la hoja instantáneamente. No fije ni afiance la guarnición si la hoja está expuesta. Si la sierra se cae por accidente, la guarnición podría doblarse. Revisela para asegurarse de que guarnición se mueve libremente y no toca la hoja ni otra parte, en cualquiera de los ángulos y profundidades de corte.
- b) **Revise el resorte de retorno de la guarnición y asegúrese de que funciona.** Si la guarnición y el resorte no funcionan correctamente, deberán arreglarse antes de usarlos. La guarnición podría funcionar lentamente a causa de piezas dañadas, depósitos gomosos o acumulación de restos.
- c) **Asegúrese de que la placa guía de la sierra no girará durante el "corte por penetración" cuando el ajuste del bisel de la hoja no está en 90°.** Si la hoja se desplaza lateralmente, se trabaría la hoja y, posiblemente, se producirían contragolpes.
- d) **Asegúrese siempre de que la guarnición cubre la hoja, antes de bajar la sierra sobre el banco o el suelo.** Una hoja sin proteger y deslizada haría que la sierra retrocediese y cortase así lo que encontrase a su paso.

Normas de seguridad específicas adicionales

La sierra para tubos no se debe usar si:

- hay agua u otro líquido, gas explosivo o agentes químicos venenosos en el tubo que se va a cortar.
- el interruptor del suministro eléctrico está defectuoso.
- el cable del suministro eléctrico está defectuoso.
- la hoja está doblada.
- la hoja está roma o en mal estado.
- los componentes de plástico están agrietados o les faltan piezas.
- la mordaza no está bien tensada alrededor del tubo o está combada.
- la tapa de la guarnición o la guarnición de la hoja móvil está dañada o se ha retirado de la máquina.
- los mecanismos de bloqueo no funcionan correctamente (botón UNLOCK).
- la sierra para tubos está húmeda.

Al usar la sierra para tubos, se deben tener siempre en cuenta los siguientes factores:

- Sujete los tubos para minimizar el riesgo de que se pellizque la hoja.
- Asegúrese de que el tubo que va a cortar está vacío.
- Asegúrese de que la hoja está bien colocada.
- Asegúrese de que el diámetro y el espesor de la hoja son adecuados para la sierra para tubos y de que la hoja es adecuada para el rango de rpm de la máquina.
- No aplique bajo ninguna circunstancia fuerza lateral para detener la hoja. Deje que la hoja se detenga libremente.
- Compruebe los accesorios de las guarniciones de las hojas.
- No haga demasiada fuerza mientras usa la sierra para tubos.
- No use la sierra para tubos para levantar el tubo mientras está unida al tubo.
- Evite sobrecargar el motor eléctrico.
- Siga siempre las instrucciones operativas y de seguridad y las normas vigentes.

A menudo, los orificios de ventilación cubren las piezas móviles y, por lo tanto, deberían evitarse. El pelo largo y suelto, las joyas y la ropa floja se pueden quedar atrapados en las piezas móviles.

Los accesorios deben estar clasificados con al menos la velocidad recomendada en la etiqueta de advertencias de la herramienta. Los accesorios que sobrepasen la velocidad nominal podrían desprenderse y provocar lesiones. La especificación de los accesorios debe ser siempre superior a la velocidad de la herramienta tal y como se indica en la placa de esta.



ADVERTENCIA: Use **SIEMPRE** protección auditiva personal adecuada conforme a ANSI S12.6 (S3.19) mientras utilice la herramienta. En algunas circunstancias y duración de uso, el ruido procedente de este producto podría contribuir a pérdidas de capacidad auditiva. Al trabajar con distintos materiales, el nivel sonoro podría variar y superar, a veces, el límite de 85 dB(A). Use siempre los protectores auditivos.



ADVERTENCIA: Utilice **SIEMPRE** gafas de seguridad. Las gafas de corrección óptica NO son gafas de seguridad. Use también máscara antipolvo o facial si la operación de corte genera polvo. USE SIEMPRE EQUIPAMIENTO DE SEGURIDAD CERTIFICADO:

- Protección ocular ANSI Z87.1 (CAN/CSA Z94.3),
- Protección auditiva ANSI S12.6 (S3.19),
- Protección respiratoria NIOSH/OSHA/MSHA.



ADVERTENCIA: Use **guantes de seguridad**. Use siempre los guantes de seguridad, ya que los bordes de los tubos cortados son afilados y pueden provocarle cortes.



ADVERTENCIA: Parte del polvo generado por las operaciones de limar, cortar, moler, perforar y otras actividades de construcción contiene agentes químicos que causan cáncer, defectos en el feto y otras lesiones reproductivas. Algunos ejemplos de dichos agentes químicos serían:

- plomo de pinturas a base de plomo,
- silicio cristalino de ladrillos y cemento y otros productos de albañilería, y
- arsénico y cromo de madera industrial con tratamiento químico (CCA).

El riesgo al que se enfrenta por estas exposiciones varía en función de la frecuencia con la que realiza este tipo de trabajo. Para reducir su exposición a estos agentes químicos: trabaje en una zona bien ventilada y use equipamiento de seguridad aprobado (por ejemplo, máscaras antipolvo diseñadas especialmente para filtrar partículas microscópicas).

Evite el contacto prolongado con polvo procedente de operaciones de limar, cortar, moler, perforar y otras actividades de construcción.

Use indumentaria protectora y lave las zonas expuestas con jabón y agua. Si deja que el polvo penetre en su boca u ojos o se deposite en su piel, podría absorber los agentes químicos perjudiciales.



ADVERTENCIA: El uso de esta herramienta puede producir y/o liberar polvo que podría causar daños graves y permanentes respiratorios o de otro tipo. Use siempre protección respiratoria aprobada por NIOSH/OSHA adecuada para la exposición al polvo. Mantenga cara y cuerpo alejados de las partículas.

Cables alargadores

Por motivos de seguridad, los cables alargadores deben tener hilos del tamaño adecuado (AWG o sistema americano de calibres de alambres). Cuanto menor sea el número de calibre del cable, mayor será la capacidad de este. Es decir, el calibre 16 tiene mayor capacidad que el 18. Un cable menor de lo necesario provocaría la caída de la tensión de línea que a su vez causaría pérdida de potencia y sobrecalentamiento. Si se usa más de un alargador hasta componer la longitud total, asegúrese de que cada alargador contiene al menos el tamaño mínimo de alambre. En la siguiente tabla se muestra el tamaño correcto que se debe usar en función de la longitud del cable y los amperios especificados en la placa. En caso de duda, use el siguiente calibre más potente. Cuanto menor sea el número de calibre, más potente el cable. (pág. 3).

Motor

Asegúrese de que su suministro eléctrico coincide con el que se especifica en la placa de características. Un voltaje tan sólo un 10% inferior puede provocar pérdida de potencia y causar sobrecalentamiento. Todos los productos Exact Tools son comprobados en fábrica. Si esta herramienta no funciona, revise el suministro eléctrico.



ADVERTENCIA: Los accesorios deben estar clasificados con al menos la velocidad recomendada en la etiqueta de advertencias de la herramienta. Los accesorios que sobrepasen la velocidad nominal podrían desprenderse y provocar lesiones. La especificación de los accesorios debe ser siempre superior a la velocidad de la herramienta tal y como se indica en la placa de esta.



CUIDADO: Para evitar lesiones personales, no toque los dientes de la hoja.

Descripción funcional

Lea todas las advertencias de seguridad y todas las instrucciones. Si no se siguen las advertencias y las instrucciones, podrían provocarse descargas eléctricas, incendios o lesiones graves.

Cuando vaya a leer las instrucciones de uso, despliegue la página de gráficos de la máquina y déjela abierta.

Uso previsto

PipeCut 220E:

La sierra para tubos PipeCut 220E está diseñada para usarse como herramienta de un filtro de tubos en el lugar de instalación. La sierra para tubos PipeCut 220E sólo se puede usar para cortar tubos circulares, con un diámetro de 0,6" - 8,6" (15-220 mm) y un espesor máximo de pared de 0,23" (6 mm) en acero y otros materiales ferrosos y no ferrosos; y 0,55" (14 mm) en plásticos. La sierra para tubos PipeCut 220E se puede usar para cortar tubos de cualquier material convencional, como acero, acero inoxidable, hierro fundido, cobre, aluminio y plástico. La sierra para tubos PipeCut 220E esta diseñada para usarse de forma

intermitente en periodos cortos. La máquina puede cargarse durante 10 minutos para funcionar durante 2.5 minutos (S3 25 %). La sierra para tubos PipeCut 220E no ha sido diseñada para usarse en procesos de producción industrial. Use los soportes para tubos para sujetar los tubos.

Características del producto

Cuando vaya a leer las instrucciones de uso, despliegue la página de gráficos de la máquina y déjela abierta. Esa página está doblada bajo la portada del manual (pág. 3). La siguiente numeración de características del producto hace referencia a dicha ilustración.

1. Botón UNLOCK (desbloqueo)
2. Interruptor principal
3. Palanca de bloqueo del interruptor principal
4. Tapa de la guarnición de la hoja
5. Guarnición de la hoja móvil
6. Borde de la guarnición de la hoja móvil
7. Ruedas de frenado
8. Rueda de ajuste
9. Asa de servicio
10. Tornillo de la guarnición de la hoja
11. Botón de bloqueo del eje
12. Unidad motriz
13. Llave de la hoja y llave para la rueda de ajuste.
14. Placa
15. Protección frente a sobrecarga o regulador rpm
16. Mordaza
17. Asa de ajuste de la mordaza

Exact PipeCut 220E

Instrucciones de funcionamiento

Antes de operar la herramienta

Asegúrese de que el motor se encuentra en posición vertical. La marca amarilla del botón de DESBLOQUEO (UNLOCK) queda a la vista.

Compruebe que el disco está correctamente colocado, que está en buenas condiciones y es adecuado para el material que se desea cortar.

Asegúrese de que las ruedas de guía de la cortadora de tubos pueden girar.

Asegúrese de que las ruedas de soporte pueden girar.
Compruebe el funcionamiento del protector inferior del disco.

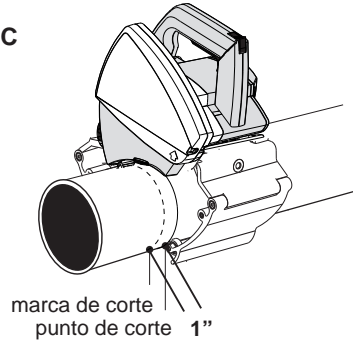
Asegúrese de que la tubería está vacía.

Si ha cortado tuberías de plástico con la sierra para tuberías (dejando astillas largas con carga estática) abra el protector del disco y limpie cuidadosamente el protector inferior del disco, así como el resto de la cortadora de tubos.

Conexión a la red eléctrica

Asegúrese de que la tensión eléctrica utilizada coincide con las especificaciones técnicas de la placa de la máquina (figura A/14). Conecte la sierra a la toma de alimentación eléctrica sólo después de haber realizado dicha comprobación.

Fig C



Ajuste preciso del punto de corte

Cuando marque el punto de corte en la tubería a cortar, reste 1" de la dimensión requerida (regla mnemotécnica: La posición de la marca de corte requiere una medida de 1" (Figura C)

Colocación de la tubería sobre soportes

Utilice los soportes de la máquina al cortar las tuberías. Así asegurará un trabajo seguro y unos resultados óptimos. Trabaje sobre una base firme y llana. Coloque la tubería sobre dos soportes, de modo que el punto de corte quede entre los soportes. Coloque dos soportes adicionales bajo ambos extremos de la tubería. Compruebe que todas las ruedas de soporte toquen la tubería (ajústelas, si procede, mediante cuñas de madera (figura B). Al cortar tuberías cortas (de 10" como máximo) coloque los soportes de forma que los puntos de corte queden fuera de los soportes (figura D). Si fuera necesario, apoye la tubería sobre su pierna izquierda. Si toma las medidas adecuadas evitará que el disco quede atrapado al cortar la tubería.

Fig B

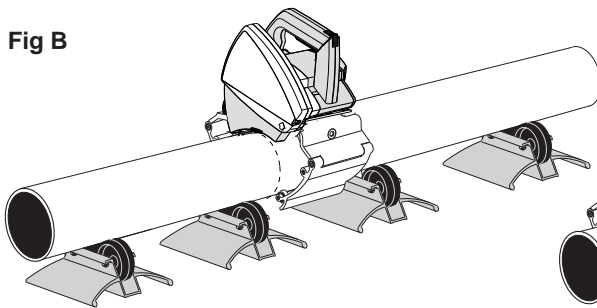
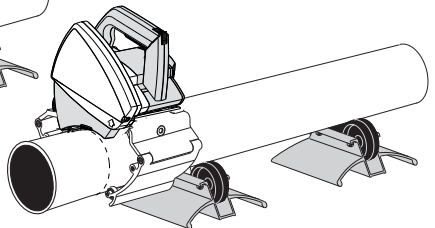


Fig D



Sujeción de la sierra a la tubería

Abra la mordaza de la sierra lo suficiente para abarcar el diámetro de la tubería haciendo girar el mando de ajuste situado en la parte posterior de la sierra (**Fig. E/1**).

Sitúe la sierra encima de la tubería que va a serrar de forma que el extremo del protector inferior del disco de corte quede sobre la marca de corte. Fije la sierra a la tubería a cortar apretando el mando de ajuste hasta que la mordaza quede firmemente apretada alrededor de la tubería (**Fig. E/2**). Sostenga el tubo en su lugar y asegúrese de que la sierra se desplace sin problemas en la dirección de alimentación de la tubería. Para garantizar la seguridad de operación, asegúrese de que los cables de la sierra queden a la izquierda de la sierra. La sierra ya está lista para cortar.

Fig E

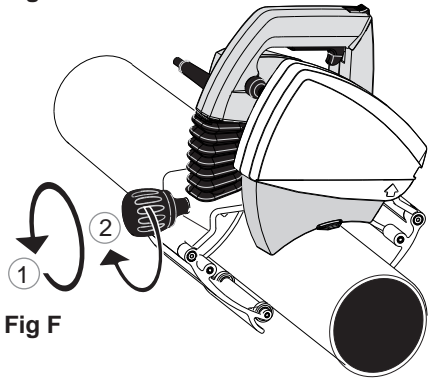
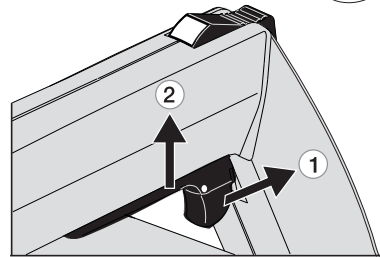


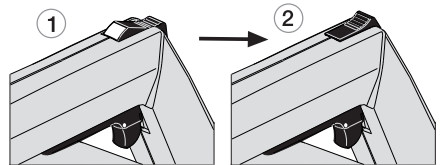
Fig F



Corte de la tubería

Tome la mordaza firmemente con la mano derecha y coloque el pie izquierdo sobre la tubería, a unos 20° de distancia con respecto a la sierra. Gire la sierra hasta que se incline ligeramente hacia delante (**figura H**). Para poner en marcha el motor, primero libere la palanca de bloqueo del interruptor empujándola hacia delante con el dedo (**Fig. F/1**). Ahora podrá pulsar a fondo el interruptor (**Fig. F/2**), con lo que el motor arrancará. Antes de empezar a serrar, espere a que la hoja alcance la velocidad máxima. Mantenga el interruptor pulsado a fondo todo el tiempo mientras sierra. Inicie el corte apretando despacio la empuñadura de la sierra hacia abajo hasta que la hoja penetre en la pared de la tubería (en este momento, la tubería no deberá girar en la mordaza) y el motor permanezca bloqueado en la posición de aserrado (**Fig. H/1**). Observe el botón de DESBLOQUEO (UNLOCK) mientras realiza el corte. Cuando pase a la posición de bloqueo, es decir, cuando la marca amarilla desaparezca (**Fig. G**), la hoja de sierra quedará bloqueada en la posición de aserrado y usted podrá comenzar a serrar sin peligro alrededor de la tubería.

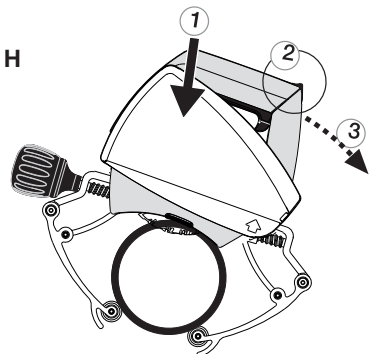
Fig G



Aserrar alrededor de la tubería

Comience a aserrar llevando la sierra hacia delante y sosteniendo la tubería con su pie izquierdo (**Fig. H/3**). Después de realizar esto, suelte la tubería (retire el pie izquierdo de la tubería) y lleve la sierra hacia atrás girando asimismo la tubería hacia atrás (**Fig. J**). Vuelva a avanzar con la sierra y siga avanzando de forma continuada aprox. 1/6 del perímetro de la tubería. Repita este paso hasta que la tubería esté cortada (**Fig. K**).

Fig H



La velocidad de corte se regula a un valor adecuado en función del material y el espesor de pared de la tubería. Serrar con excesiva rapidez podría dañar la hoja, sobrecargar la sierra y producir un corte torcido en la tubería.

Una vez cortada la tubería, pulse el botón de DESBLOQUEO (UNLOCK) llevándolo hacia delante hasta que la marca amarilla quede bien visible y el dispositivo de bloqueo quede suelto (**Fig. L/1**).

Ahora levante el motor hasta la posición de arranque (**Fig. L/2**). Libere el interruptor ON/OFF (**Fig. L/3**). Cuando el disco de corte se detenga retire la sierra de la tubería aflojando la mordaza (**Fig. L/4**). Asegúrese de que el protector inferior del disco descienda hasta la posición de seguridad.

Si surgieran problemas durante el corte, o la sierra emitiera sonidos o vibraciones anómalos, tiene que interrumpir el corte antes de haber serrado completamente la tubería, libere la hoja pulsando el botón de DESBLOQUEO (UNLOCK) y después levante el motor de la sierra hasta situarlo en la posición superior. Una vez resuelto el problema, ya puede seguir cortando.

Nunca ponga en marcha el motor hallándose éste bloqueado en la posición de corte ni estando los dientes de la hoja retenidos en la tubería que se sierra.

Protección frente a sobrecargas y regulador de velocidad de giro

El modelo 220E incluye un regulador de revoluciones. El nivel de revoluciones correspondiente dependerá del material que se deba cortar. El regulador cuenta además con protección automática de sobrecarga.

En caso de sobrecarga: Suelte el interruptor de alimentación (**Fig L/3**). Pulse el botón UNLOCK (desbloquear) hasta que se vea la marca amarilla y se libere el bloqueo (**Fig L/1**). El circuito electrónico limita la corriente y detiene el motor. Cuando el motor se para debido a la sobrecarga, se enciende la luz roja del cortatubos. El cortatubos tiene que enfriarse mientras percibe la temperatura interna. El motor no arrancará (aunque la luz roja esté apagada) hasta que se suelte y se vuelva a pulsar el interruptor o hasta que se desconecte y vuelva a conectar el enchufe. La luz roja indica que la máquina tenía sobrecarga.

El piloto correspondiente se enciende temporalmente cada vez que se pone en marcha el motor. Esto es normal, por lo que no se precisa ninguna acción.

Alineación del corte y rueda de regulación

El corte se ve influenciado por muchos factores, p.ej. el tamaño de la tubería, el material, el espesor de pared, la calidad de la superficie de la tubería, la redondez, la costura de soldadura, el estado del disco de corte, la velocidad de alimentación y la experiencia del operario.

Fig J

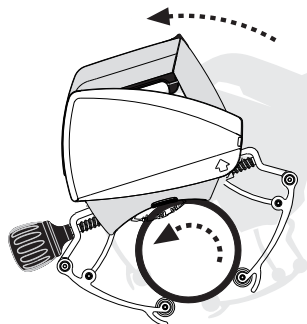


Fig K

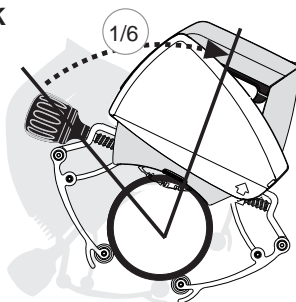


Fig L

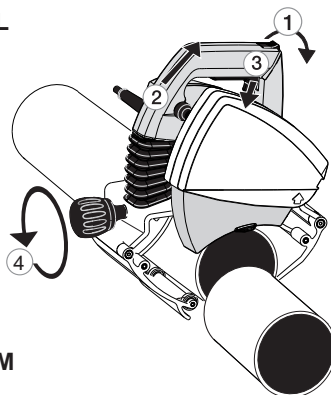


Fig M



escotadura al izquierdo escotadura al derecho

Por esta razón, el resultado puede variar y el corte puede desviarse a izquierda o derecha (alineación errónea del punto de inicio o fin del corte) (**Fig M**) La mordaza de la sierra está equipada con una rueda ajustable (**Fig A/9**) que puede utilizarse para mejorar la calidad del corte y para corregir los fallos de alineación. El ajuste se aplica sólo al tamaño y el material reales de la tubería y es posible que haya que reajustar la rueda a medida que el disco de la sierra se desgasta.

Para ajustar la rueda, afloje el tornillo de fijación (**Fig N/1**) y gire el centro de la rueda en el sentido de las agujas del reloj o en sentido contrario a las agujas del reloj hasta la posición que desee (**Fig N/2**). A continuación, vuelva a fijar la rueda (**Fig N/3**). Si la hoja se ha desplazado demasiado a la derecha, ajuste el centro de la rueda en el sentido de las agujas del reloj (signo -). Si la desviación se produce hacia la izquierda, ajuste la rueda en sentido contrario a las agujas del reloj (signo +). El grado de ajuste depende del error de alineación real. No olvide lubricar la rueda de ajuste cada cierto tiempo.

Fig N

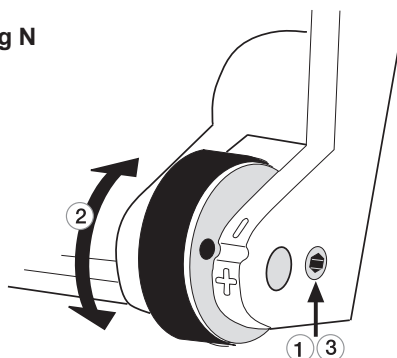
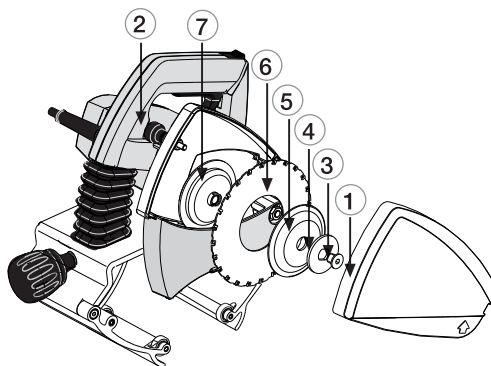


Fig O



Colocación y cambio de la hoja de sierra

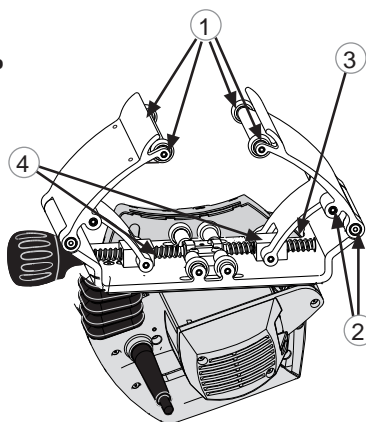
⚠ ADVERTENCIA: Para reducir el riesgo de lesiones, apague la unidad y desconéctela del suministro eléctrico antes de instalar o retirar accesorios y antes de realizar ajustes o reparaciones. Una puesta en marcha accidental puede provocar lesiones.

Desenchufe la máquina y compruebe que el motor está bloqueado en la posición superior.


Quite la cubierta del protector de la hoja de sierra (**Fig. O/1**) aflojando los dos tornillos de mariposa (**Fig. O/2**). Pulse el botón de bloqueo del eje (**Fig. A/11**) y, simultáneamente, haga girar la hoja con la mano hasta que el botón de bloqueo del eje descienda otros 0,2" aproximadamente. Ahora, la hoja ya no puede girar. Afloje el tornillo de fijación de la hoja con la llave. Quite el tornillo de fijación (**Fig. O/3**), la arandela (**Fig. O/4**), la brida circular de la hoja de sierra (**Fig. O/5**), y la hoja (**Fig. O/6**).


Antes de colocar una hoja de sierra nueva, compruebe que ambas bridas de la hoja están limpias. Coloque una hoja nueva o afilada sobre la brida circular trasera (**Fig. O/7**), de manera que el lado de la hoja que lleva la marca mire hacia fuera y las flechas de la hoja apunten en la misma dirección que las marcas de sentido de giro del interior de la carcasa de la hoja. Cerciórese de que la nueva hoja llega hasta el fondo de la brida trasera. Coloque de nuevo la brida circular de la hoja, la arandela y el tornillo de fijación. Pulse el botón de bloqueo del eje y apriete el tornillo de fijación de la hoja. Coloque de nuevo la cubierta del protector de la hoja y apriete los tornillos de mariposa.


Fig P




Instrucciones de servicio y mantenimiento

 **ADVERTENCIA:** Para reducir el riesgo de lesiones, apague la unidad y desconéctela del suministro eléctrico antes de instalar o retirar accesorios y antes de realizar ajustes o reparaciones. Una puesta en marcha accidental puede provocar lesiones.

 **ADVERTENCIA:** Con el fin de reducir el riesgo de lesiones, NO ATE, PEGUE NI BLOQUEE DE NINGUNA OTRA FORMA EL INTERRUPTOR EN LA POSICIÓN ENCENDIDA mientras está en marcha. SUJÉTELO EXCLUSIVAMENTE CON LAS MANOS.

Limpieza
 **ADVERTENCIA:** Es aconsejable limpiar el polvo y las virutas de la carcasa del motor periódicamente usando aire comprimido seco y limpio, como mantenimiento. Para reducir el riesgo de lesiones personales graves, utilice SIEMPRE gafas de seguridad ANSI Z87.1 mientras use aire comprimido.

 **ADVERTENCIA:** Al limpiar las piezas de plástico, use únicamente jabón suave y un paño húmedo. Muchos detergentes domésticos contienen agentes químicos que podrían dañar gravemente el plástico. Además, tampoco debe usar gasolina, trementina, laca ni disolvente de pintura, detergentes líquidos en seco ni productos similares que podrían dañar gravemente las piezas de plástico. No deje que penetre líquido en la herramienta. No sumerja ninguna pieza de la herramienta en líquido.

Mordaza


Limpie la mordaza periódicamente con aire comprimido. Lubrique los ejes de rueda (**Fig. P/1**) y sus articulaciones (**Fig. P/2**). Limpie y lubrique también el tornillo trapezoidal de la mordaza (**Fig. P/3**) y los dos tornillos sinfín de la misma (**Fig. P/4**).

Protector de la hoja de sierra


Si piensa empezar a serrar tuberías metálicas después de haber serrado tuberías de plástico, limpie el interior de las protecciones de la hoja, ya que las partículas incandescentes producidas al cortar el metal quemarían las de plástico y podría desprenderse humo tóxico. Establezca como norma la limpieza periódica del protector de la hoja y cuide especialmente de que nada pueda obstaculizar el movimiento de la protección móvil. Lubrique periódicamente el eje de esta última.


Motor

Mantenga limpias las aberturas de ventilación del motor.

 **Cable de alimentación**
ADVERTENCIA: Compruebe periódicamente el estado del cable. La sustitución de un cable defectuoso debe realizarla siempre un centro de servicio técnico autorizado.


El uso correcto y la limpieza y el mantenimiento periódicos garantizan la continua disponibilidad de la sierra.

Accesorios
 **ADVERTENCIA:** Puesto que los accesorios que no ofrece Exact Tools no han sido comprobados con este producto, usar dichos accesorios con esta herramienta podría ser peligroso. Para reducir el riesgo de lesiones, con este producto deberían emplearse exclusivamente accesorios recomendados de Exact Tools.

 **ADVERTENCIA:** REVISE VISUALMENTE LAS HOJAS DE CARBURO ANTES DE USARLAS. CÁMBIELAS SI ESTÁN DAÑADAS.

Los accesorios recomendados para esta herramienta están disponibles (se pagan aparte) en su comercio habitual o centro de asistencia técnica autorizado. Si necesita ayuda para encontrar un accesorio, visite nuestro sitio Web www.exacttools.com.

Hojas
 **ADVERTENCIA:** REVISE VISUALMENTE LAS HOJAS DE CARBURO ANTES DE USARLAS. CÁMBIELAS SI ESTÁN DAÑADAS.

 **ADVERTENCIA:** Con el fin de minimizar los riesgos de lesiones oculares, utilice siempre protección ocular aprobada por ANSI Z87.1. El carburo es un material duro pero frágil. Los objetos extraños en la pieza de trabajo, como cables o clavos, pueden hacer que las puntas se agrieten o rompan. Use la sierra exclusivamente si la guarnición de la hoja está colocada. Monte la hoja correctamente con la rotación adecuada antes de usar la sierra. Utilice siempre una hoja afilada y limpia.

Una hoja roma puede restar eficacia al corte lo que sobrecargaría el motor de la sierra.

Cambie las hojas cuando ya no sea fácil pasar la sierra por el corte, cuando el motor esté forzado o cuando se acumule demasiado calor en la hoja. Es aconsejable tener hojas adicionales a mano para que haya hojas afiladas disponibles en cualquier momento. Las hojas romas suelen poder afilarse, consulte AFILADO DE SIERRAS en las páginas amarillas.

Su sierra para tubos PipeCut ha sido diseñada para usarse con hojas de 5,51" (140 mm) de diámetro con un orificio de 2,44" (62 mm) de diámetro. Las hojas deben estar clasificadas para operaciones a 4.200 rpm (o superior). NO USE muelas abrasivas en ningún caso. **Selección de hojas pág. 2**

Medio ambiente



Separación de residuos. No tire este producto junto con la basura doméstica normal. Cuando la vida útil de su máquina Exact PipeCut haya llegado a su fin, no la elimine junto con la basura doméstica. Este producto debe reciclarse por separado. El reciclaje por separado de los productos usados y del embalaje facilita el reciclado y la recuperación de los materiales. El reciclaje de estos materiales ayuda a prevenir la contaminación del medio ambiente. De acuerdo con la normativa legal vigente, está permitido depositar electrodomésticos en la basura municipal, en lugares adecuados para ello o bien, entregarlos en el distribuidor al adquirir un producto nuevo.

Garantía

Si la sierra de tubos Exact 220E quedase inutilizada a causa de defectos del material o de fabricación, dentro de los primeros 12 meses a partir de la fecha de compra, sustituiremos las piezas dañadas por otras nuevas o entregaremos una sierra totalmente nueva o reparada en fábrica en sustitución de la averiada.

La garantía sólo es válida si:

Se envía al fabricante o al proveedor la ficha de garantía o un recibo de compra con la fecha correspondiente.
No se ha utilizado la sierra incorrectamente.
No se ha intentado su reparación por personas no autorizadas para ello.
La sierra ha sido utilizada de acuerdo con estas instrucciones de funcionamiento, seguridad y mantenimiento.
La garantía no se aplica a los discos ni al protector frente a sobrecargas.

Consejos para usar las Exact PipeCut

La hoja de diamante debería usarse sólo para cortar tubos de hierro fundido. No se recomienda cortar hierro fundido con hojas TCT ni Cermet.

Limpie el interior de las guarniciones de la hoja después de cortar tuberías de plástico. Cortar tuberías más pequeñas resulta más fácil

girando el tubo manualmente sobre una mesa o en el suelo. Nota: gire el tubo hacia usted cuando lo haga manualmente y tenga cuidado para no girarlo demasiado deprisa.

Compruebe el estado de la hoja periódicamente.

El procedimiento de corte está compuesto por dos fases: primero, sierra a través de la pared del tubo y después complete el corte serrando alrededor.

No sobrecargue la sierra cortando de forma continua. De lo contrario, la sierra se sobrecalentará y las piezas metálicas podrían calentarse en exceso. Esto dañaría el motor y la hoja. La norma es 2,5 minutos de uso y 7,5 minutos de pausa.

Mantenga la velocidad de avance constante. De este modo, se alargará la vida útil de la hoja. Por ejemplo, el tiempo de corte para un tubo de acero de 6" (170 mm) de diámetro y un espesor de pared de 1/5" (5 mm) es de 45-60 segundos y para un tubo de hierro fundido de 4" (110 mm) de diámetro con un espesor de pared de 1/6" (4 mm) es de 30-45 segundos.

Mantenga la unidad del motor siempre en vertical. Así, la marca amarilla del botón de desbloqueo estará visible. No acerque la sierra al tubo en la posición bloqueada/corte.

Factores que afectan a la vida útil de la hoja de la sierra:

- material del tubo
- tipo de hoja correcto para el material que se está cortando
- configuración correcta de la velocidad del motor
- espesor de la pared del tubo
- velocidad de avance
- suavidad del tubo
- destrezas generales del usuario
- limpieza del tubo
- óxido en el tubo
- cordón de soldadura en el tubo
- velocidad de la hoja

Factores que afectan a la rectitud del corte:

- estado de la hoja de sierra
- espesor de la pared del tubo
- velocidad de avance
- suavidad de avance
- destrezas generales del usuario
- limpieza del tubo
- redondez del tubo
- pinzas demasiado apretadas/flojas
- hoja montada demasiado apretada

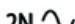


Debido al continuo perfeccionamiento del producto, la información contenida en este manual puede ser objeto de modificación. No facilitamos información expresa de tales modificaciones.

Definitions of symbols/ Definicions des symboles /Definicions de los símbolos

The label on your tool or this manual may include symbols. The symbols and their definitions are the following:

L'étiquette apposée sur votre outil ou de ce manuel peuvent inclure des symboles. Les symboles et leurs définitions sont les suivantes:

La etiqueta de la herramienta o en este manual pueden incluir símbolos. Los símbolos y sus definiciones son las siguientes.

	EN	FR	ES
V	volts	volts	voltios
A	amperes	ampères	amperios
Hz	herz	hertz	hercios
W	watts	watts	vatios
kW	kilowatts	kilowatts	kilovatios
F	farads	farads	faradios
µF	microfarads	microfarads	microfaradios
l	litres	litres	litros
g	grams	grammes	gramos
kg	kilograms	kilogrammes	kilogramos
bar	bars	bars	bares
Pa	pascals	pascals	pascales
h	hours	heures	horas
min	minutes	minutes	minutos
s	seconds	secondes	segundos
n _o	no-load speed	vitesse de rotation à vide	velocidad sin carga
.../min or ...min ⁻¹	revolutions or reciprocations per minute	révolutions ou alternances par minute	revoluciones o reciprocaciones por minuto
 or a.c.	direct current	courant continu	corriente continua
 or a.c.	altering current	courant alternatif	corriente alterna
	two-phase altering current	courant alternatif biphasé	corriente alterna bifásica
 2N	two-phase altering current with neutral	courant alternatif biphasé avec neutre	corriente alterna bifásica con
 3	three-phase altering current	courant alternatif triphasé	corriente alterna trifásica neutral
 3N	three-phase altering current with neutral	courant alternatif triphasé avec neutre	corriente alterna trifásica con corriente nominal neutral
 A	rated current of the appropriate fuse-link in amperes	courant nominal de l'élément de remplacement approprié en ampères	corriente nominal neutral del fusible de enlace apropiado en amperios
	time-log miniature fuse-link where x is the symbol for time/current characteristic, as given in IEC 60127-3	élément de remplacement miniature avec feuille de temps, x étant le symbole de la caractéristique temps / courant, tel qu'énoncé dans la norme CEI 60127-3	un fusible de enlace en miniatura con registro de tiempo donde X es el símbolo característico para el tiempo/corriente dado en IEC 60127-3
	protective earth	terre de protection	conexión a tierra de protección
	class II tool	outil de classe II	herramienta clase II
IPXX	IP symbol	symbole IP	símbolo IP