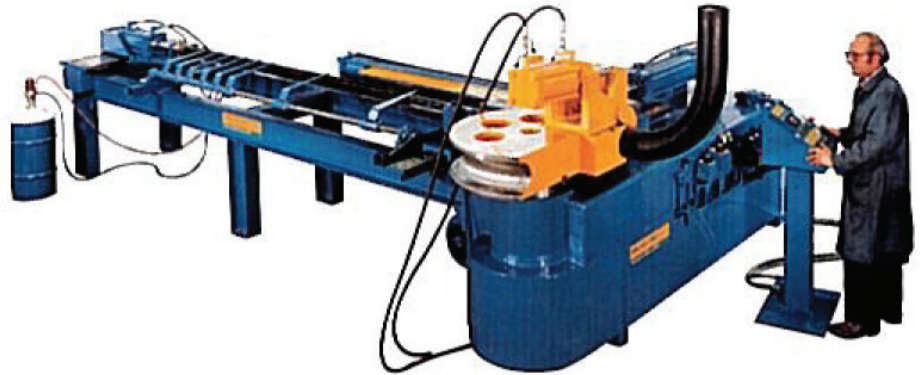
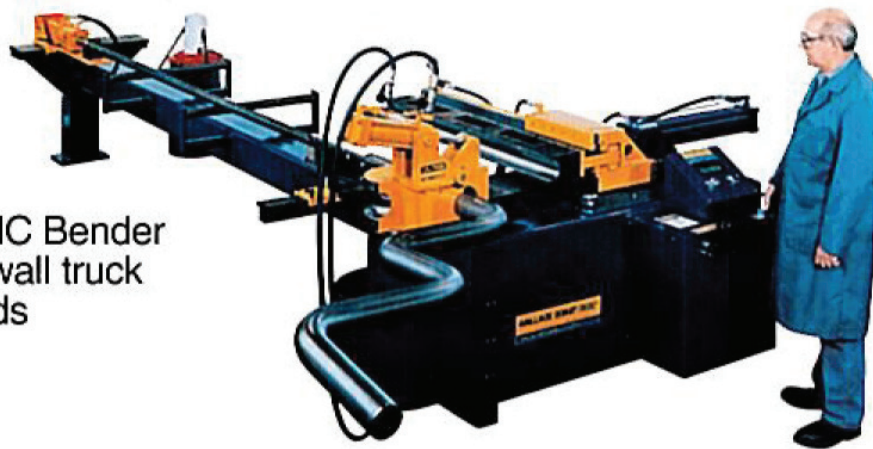


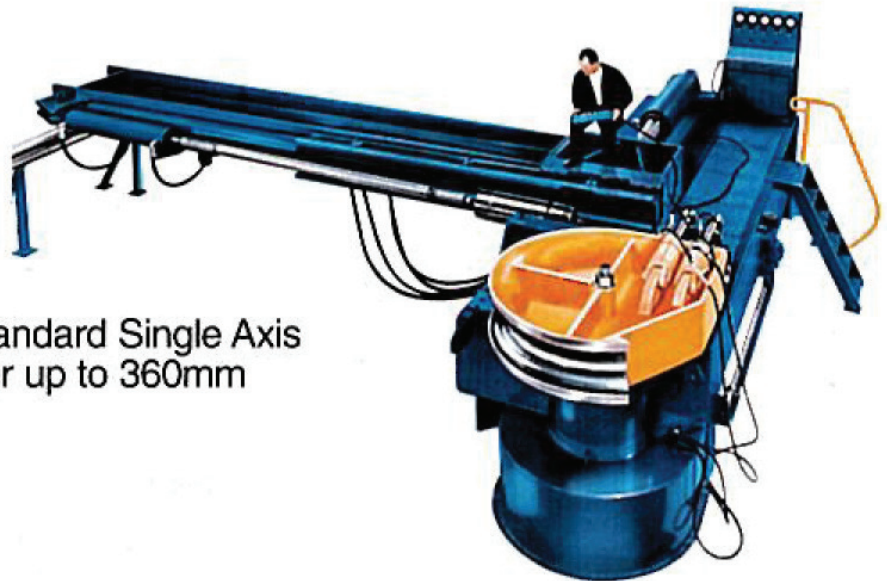
Single Axis NC Bender
with pedestal controls

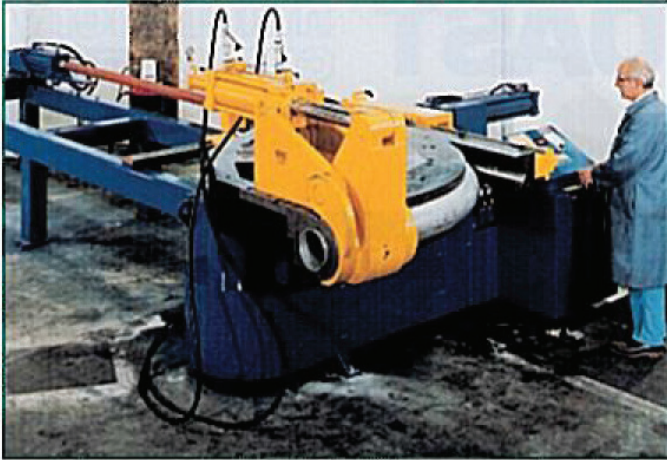


Single Axis NC Bender
making thin wall truck
exhaust bends

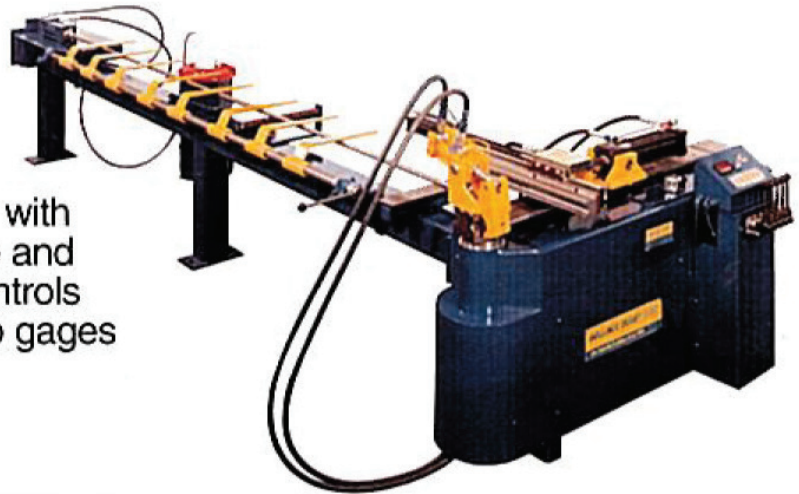


Largest standard Single Axis
NC Bender up to 360mm

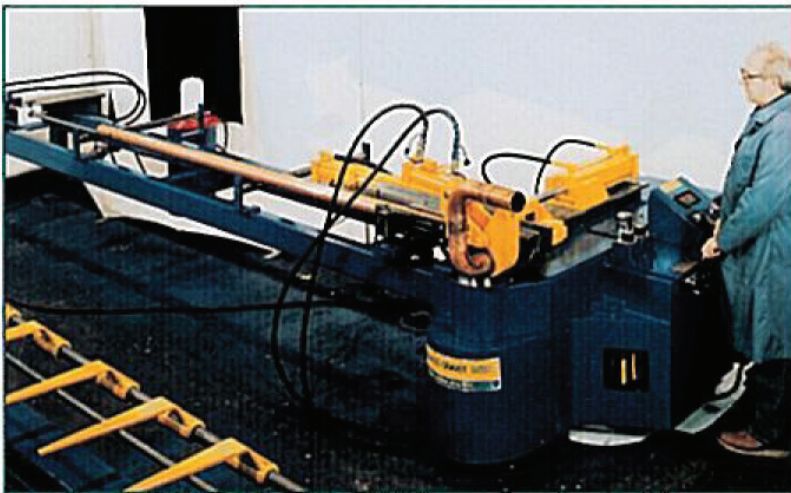




Single Axis NC Bender with tooling for large thin-wall aircraft duct tube



Single Axis NC Bender with simple, easy to operate and maintain hand lever controls and manual length stop gages



Single Axis NC Bender making thin wall copper elbows

