

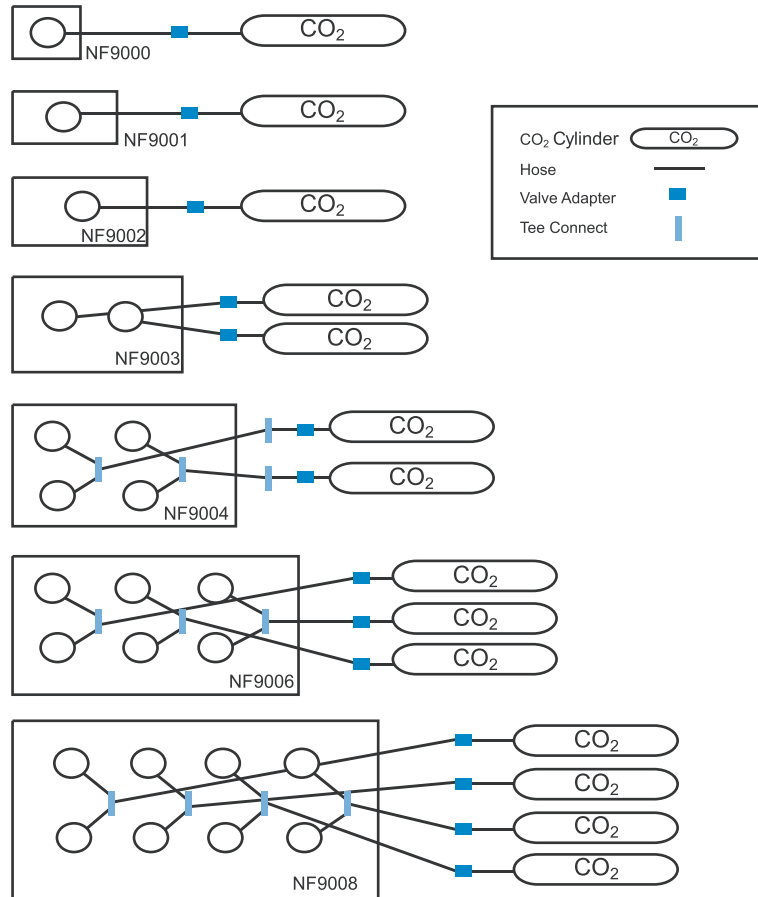
**Head Office**  
 14208 - 128 AVENUE NW  
 EDMONTON AB T5L 3H5  
 CANADA  
 Tel: 780 - 447 - 1904  
 Fax: 780 - 447 - 2056



**Sales Office**  
 83 ENDEAVOUR DRIVE  
 CAMBRIDGE ON N3C 4C2  
 CANADA  
 Tel: 519 - 651 - 1050  
 Fax: 519 - 651 - 1051



### Hose/Cylinder Connection Instructions for Nordic Freeze Kit



Product	Hose	Valve Adapt.	CO2 Cyl.	Tee Con.
NF9000	1 x 3 m (10')	1	1	N/A
NF9001	1 x 3 m (10')	1	1	N/A
NF9002	1 x 3 m (10')	1	1	N/A
NF9003	2 x 3 m (10')	2	2	N/A
NF9004	4 x 3 m (10')	2	2	2
NF9006	3 x 3 m (10') 6 x 300 mm (1')	3	3	3
NF9008	4 x 3 m (10') 8 x 300 mm (1')	4	4	4

Toll Free Anywhere in North America 1-800-661-9983

[www.magtool.com](http://www.magtool.com)