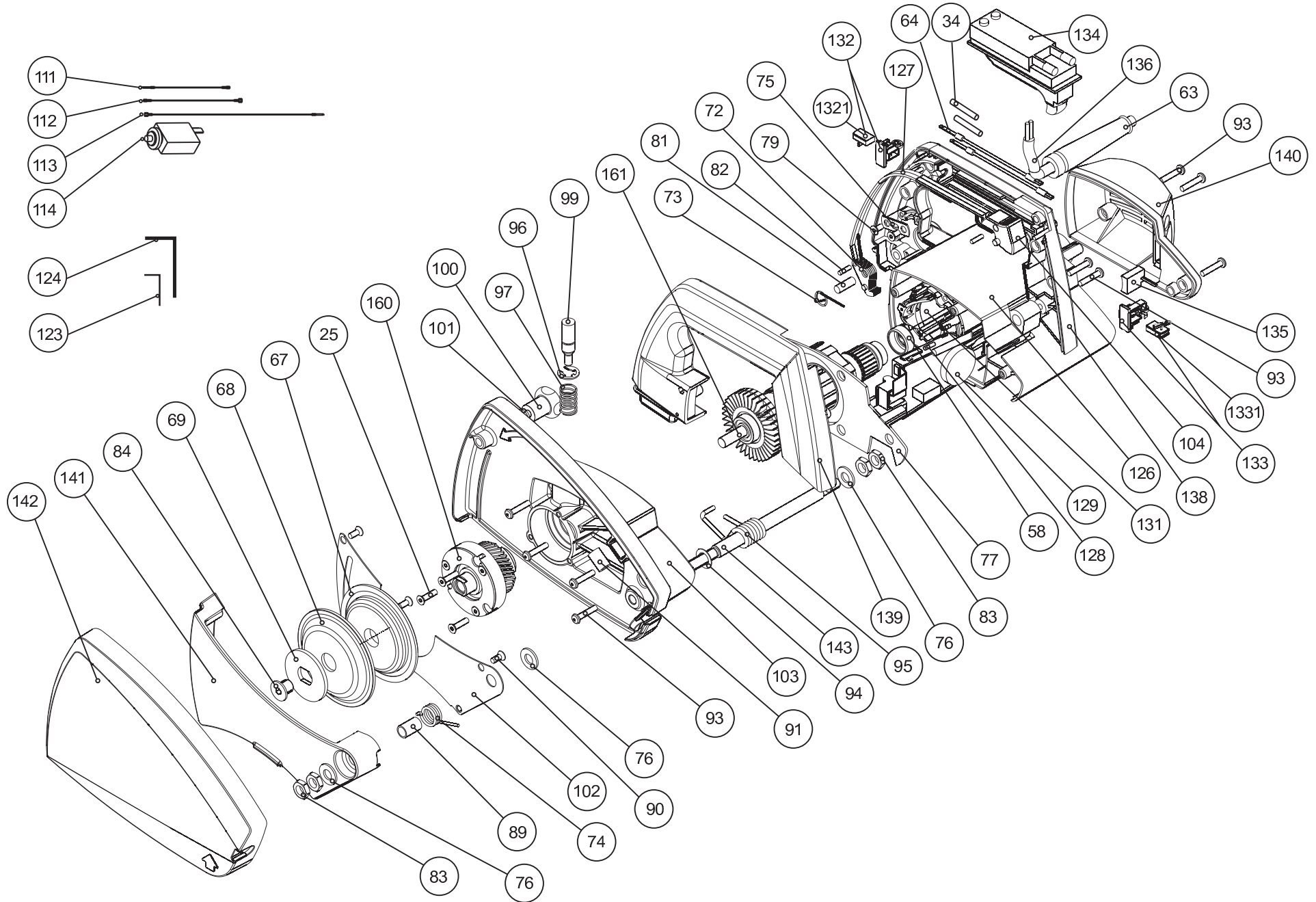


Exact PipeCut 170/170E



Exact PipeCut 170/170E

Pos.	Part n:o	Description	Pcs/unit
2	11503-00	Ratchet Spring 170	2
3	249424-00	Screw M4x6	4
4	11568-00	Flat Washer M5 DIN 9021	2
5	11502-00	Gripper Wheel 22,5	1
6	11488-00	Pin short	16
7	11564-00	Ball bearing 608 2RS 8/22-7	5
8	11566-00	Flange bearing GFM-1012-09	1
9	11567-00	Flange bearing GFM-0810-05	1
10	11501-00	Gripper Wheel 22	1
11	11497-00	Protection bellows 170	1
12	11498-50	Counter Peg 170	1
13	11491-00	Body Cast Machined 170	1
14	11565-00	Flange bearing GFM-0608-04	22
15	10990-00	Flange bearing GFM-1012-035	2
16	11490-00	Turning Cast Machined	1
19	11492-00	Trapeze Screw Holder	6
20	11547-00	Turning Cast Machined Adjust	1
21	11663-00	Trapeze 170 and nuts 17,18	1
22	11499-11	Pulling plate 170	2
23	10976-00	Screw M5X8 DIN 912	2
24	11495-00	Gripper Knob Collar	1
25	11561-10	Screw M4X16 DIN 7991	9
26	725698	Hex Nut M4 DIN 934 Zn	6
27	743714	Spring pin 4x30 DIN1481	1
28	11489-00	Pin long	2
29	10913-00	Gripper knob	1
30	11565-10	Flange bearing GFM-0608-07	1
34	11616-00	Isolation silicon hose	2
58	11555-00	Rotor rubber bushing	1
63	10951-10	Protective cable sleeving	1
64	11574-50	Carbon Brush Cable	2
67	11543-00	Blade flange 80mm	1
68	11542-00	Attachment flange 80 mm	1
69	10944-01	Pulling flange washer	1
72	11571-00	Lock Hook	1
73	11553-00	Lock Hook Spring	1
74	11551-00	Blade Guard Spring	1
75	378975	Cable Clamp	1
76	249223-00	Washer M8 DIN125	3
77	11540-00	Air deflector 170	1
79	10986-00	PF Screw 4x8	2
81	10983-03	Dowel pin 6x18 DIN 7	1
82	10983-04	Dowel pin 3x12 DIN 7	2
83	10985-00	Hex nut M8x1 DIN439	4
84	10987-01	Blade Screw M10x10 BN 1206	1
89	11562-00	Lower Blade Guard Bushing	1
90	11561-00	Screw M4X10 DIN 7991	7
91	11541-00	Elastic Bar	1
93	10986-03	PT Screw 4x20 T20	14
93	744361	Shim washer 10/16 s0.5 DIN 988	1
94	11550-00	Lifting Spring 170	1
95	10273-00	Circlip 8 Fe DIN 6799	1
96	11552-00	Spindle Lock Spring 170	1
97	11546-00	Spindle Lock 170	1
99	11681-00	Blade guard screw m6x30	1
100	11133-00	Washer 6,4/11 DIN 137A	2

Pos.	Part n:o	Description	Pcs/unit
101	11548-90	Lower Blade Guard Plate 170	1
103	11508-00	Gearbox casting 170	1
104	11538-01	Locking Lever with Yellow	1
111	11579-25	Cable Blue L195 170	1
112	11579-15	Cable Blue L220 170	1
113	11579-05	Cable Brown L400 170	1
114	11005-10	Fuse 106-P30-4A 230V	1
114	11025-00	Fuse 106-P30-8A 100-120V	1
115	11006-00	Holder wheel axis 8X1X31	8
116	11007-00	Holder wheel	8
117	744628	Nut, protective M6 DIN 985	8
118	590872-02	Screw M6x45 ISO 7380	8
120	11504-00	Eccenter 170	1
121	11505-00	Gripper Wheel Adjustment 170	1
122	11570-00	Socket set screw M4X6 AISI 316	1
123	11121-00	Allen key 2 Black	1
124	725927	Allen key 5 BLACK	1
126	11526-00	Motor Body Plastic	1
127	11539-00	Draw Bar 170	1
128	11556-00	Temperature Sensor 170E	1
129	11573-01	Electronics Unit 230V SA	1
129	11573-51	Electronics Unit 100-120V SA	1
131	11554-00	Field Coil 230V E AND 100 - 120V E	1
131	11586-00	Field Coil 230V	1
131	11586-50	Field Coil 100 - 120V	1
131	11538-01	Locking lever	1
132	11559-50	Brush Holder with SWU 230V	1
132	11587-50	Brush Holder with SWU 100 - 120V	1
1321	11624-50	Carbon brush SWU 220-240V	1
1321	11625-50	Carbon brush SWU 100 - 120V	1
133	11559-00	Brush Holder incl. brush 230V	1
133	11587-00	Brush Holder incl. br. 100 - 120V	1
134	11797-00	Electric switch Marquard	1
135	11560-00	Speed Sensor	1
136	10949-01	Power Cord EU	1
136	11023-11	Power cord US with ground	1
137	11530-00	Handle left Grey	1
139	11534-00	Handle right Grey	1
140	11518-00	End cup E - Grey	1
140	11522-00	End cup -Grey	1
141	11512-00	Lower Blade Guard metric	1
141	11515-10	Lower Blade Guard imperial	1
142	11569-10	Blade guard top - 170	1
142	11781-00	Blade guard top - 170E	1
143	11545-00	Main shaft	1
145	11581-11	PipeCut Bag 2	1
160	11612-50	Secondary gear complete 170,220E	1
161	11608-00	Armature 230 V E SA	1
161	11609-00	Armature 230 V SA	1
161	11610-00	Armature 100-120 V E SA	1
161	11611-00	Armature 100-120 V SA	1
165	11605-10	Pipe support 170	4
177	379158-00	Protection pipe	1
675	10884-00	Washer 12/21/0,2 DIN988 (BN 988)	1
1005	11680-00	Rubber protection	1