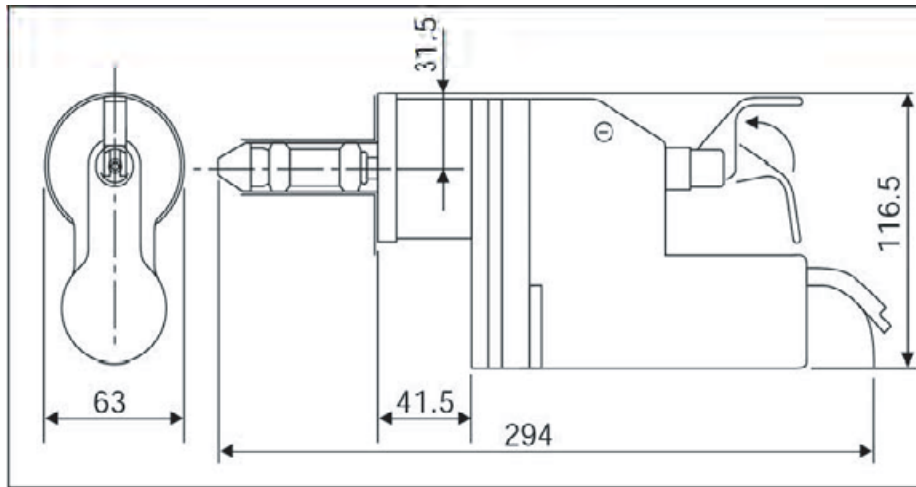


Technical Data : **TS 25**



TS 25

Min. tube I.D. Max. tube O.D.	10 (*) 25.4 for lower dimensions, please consult us
Capacity	100 A
Torch cooling	Water
Welding of tubes: flush recessed protruding	1 mm max 0.5 mm max
Positioning on the tube sheet	Expandable mandrel
Internal welding	
Protection chamber	
Weight	1.5 kg
Standard Option	

(*) \varnothing min. 7 mm with option clamping assembly

EXAMPLE OF APPLICATION :
Flush tubes at the front of the plate

