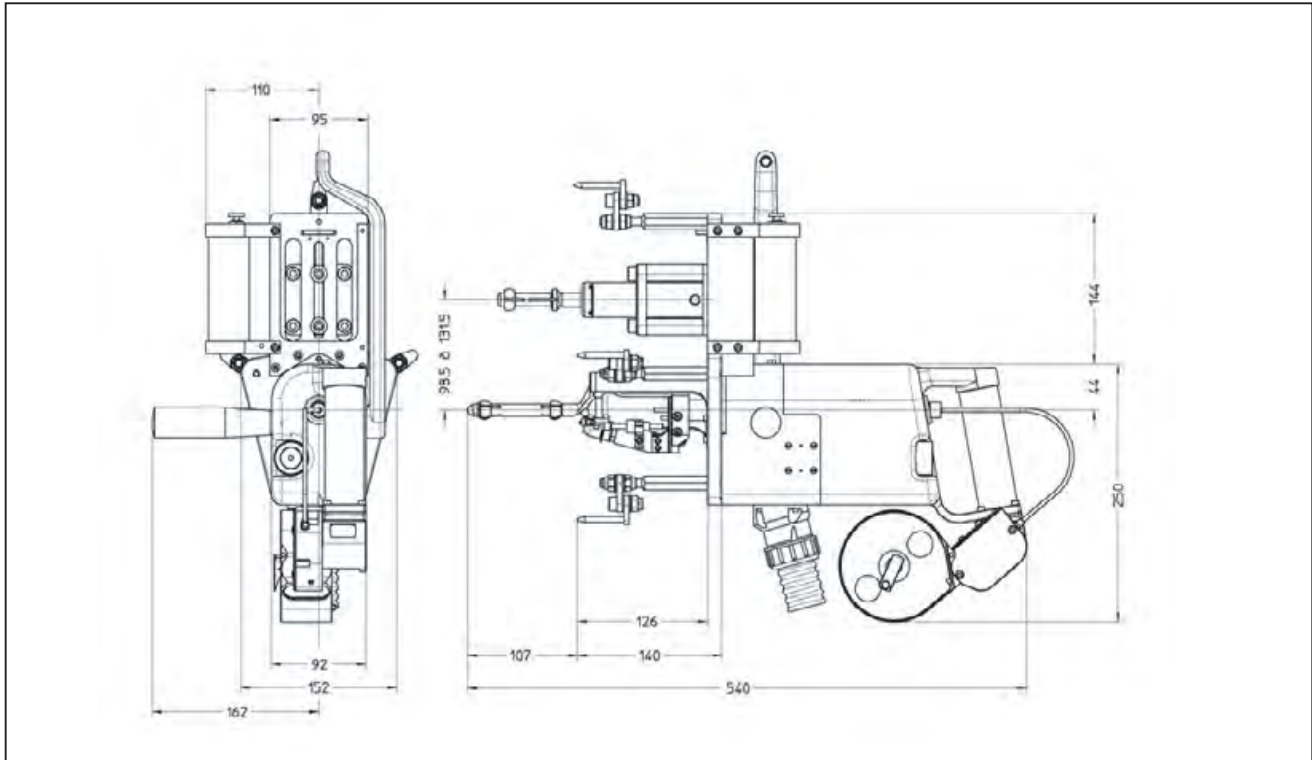


Technical Data : TS 2000



		TS 2000
Min. tube I.D.		10
Max. tube O.D.		60
Capacity		200 A
Torch cooling		Water
AVC		
Wire feeder		
Wire spool size		ø100 mm 1,5 kg
Welding of tubes :		
- flush		
- recessed		max 2 mm
- protruding		max 13 mm
- behind tubesheet		
Positioning on the tube sheet		Centering mandrel
Internal welding		
Weight		11 kg (with positioning system and integrated wire feeder)
Pneumatic positioning system		
Standard		
Option		
Non available		

