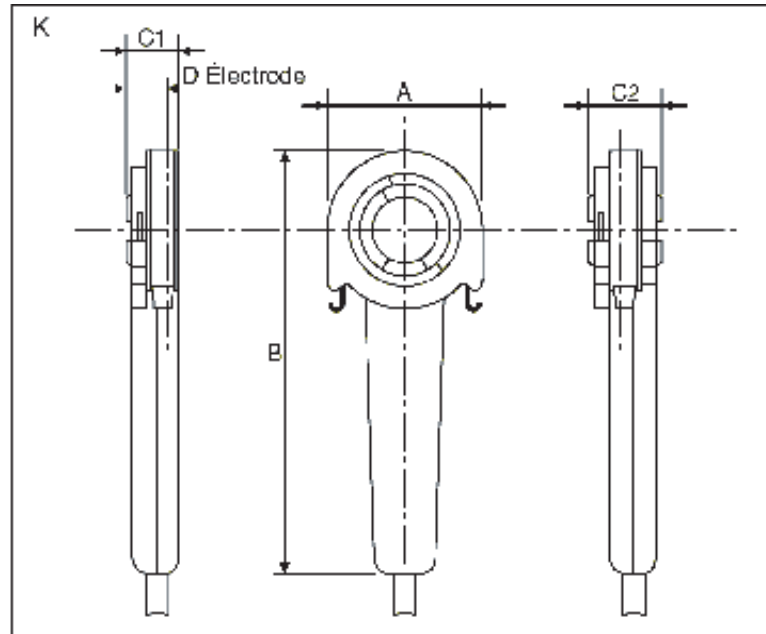


Technical Data : K SERIES WELDING HEADS



K	Tube O.D.		Dimensions				
	From	to	A	B	C1	C2	D
K-875	3,00	22,2 ($\frac{1}{8}$ " - $\frac{7}{8}$ ")	69,85 (2,75)	250,83 (9,88)	31,75 (1,25)	47,75 (1,88)	24,38 (0,96)
K-1500	6,00	38,1 ($\frac{1}{4}$ " - $1 \frac{1}{2}$ ")	91,95 (3,62)	276,23 (10,88)	31,75 (1,25)	47,75 (1,88)	24,39 (0,96)
K-2500	12,7	63,5 ($\frac{1}{2}$ " - $2 \frac{1}{2}$ ")	127,00 (5,00)	321,31 (12,63)	41,15 (1,62)	62,99 (2,48)	31,24 (1,23)
K-4000	38,1	101,6 ($1 \frac{1}{2}$ " - 4")	165,10 (6,50)	361,95 (14,25)	41,15 (1,62)	62,99 (2,48)	31,24 (1,23)
K-6000	50,8	152,4 (2" - 6")	228,60 (9,00)	440,50 (17,50)	47,24 (1,86)	62,99 (2,48)	31,24 (1,23)
K-7000	76,2	177,8 (3" - 7")	263,65 (10,38)	420,62 (16,56)	62,23 (2,45)	- -	49,78 (1,96)

.The dimensions are given in mm and in inches

. C1=version 1T // C2=version 2T